

# Air-Conditioners

# Кондиционеры

# PKA-RP-HAL



## INSTALLATION MANUAL

For safe and correct use, read this manual and the outdoor unit installation manual thoroughly before installing the air-conditioner unit.

**FOR INSTALLER**

## INSTALLATIONSHANDBUCH

Aus Sicherheitsgründen und zur richtigen Anwendung vor Installation der Klimaanlage die vorliegende Bedienungsanleitung und das Installationshandbuch gründlich durchlesen.

**FÜR INSTALLATEURE**

## MANUEL D'INSTALLATION

Avant d'installer le climatiseur, lire attentivement ce manuel, ainsi que le manuel d'installation de l'appareil extérieur pour une utilisation sûre et correcte.

**POUR L'INSTALLATEUR**

## INSTALLATIEHANDLEIDING

Lees deze handleiding en de installatiehandleiding van het buitenapparaat zorgvuldig door voordat u met het installeren van de airconditioner begint.

**VOOR DE INSTALLATEUR**

## MANUAL DE INSTALACIÓN

Para un uso seguro y correcto, lea detalladamente este manual de instalación antes de montar la unidad de aire acondicionado.

**PARA EL INSTALADOR**

## MANUALE DI INSTALLAZIONE

Per un uso sicuro e corretto, prima di installare il condizionatore d'aria leggere attentamente il presente manuale ed il manuale d'installazione dell'unità esterna.

**PER L'INSTALLATORE**

## ΕΓΧΕΙΡΙΔΙΟ ΟΔΗΓΙΩΝ ΕΓΚΑΤΑΣΤΑΣΗΣ

Για σωστή και ασφαλή χρήση, διαβάστε προσεκτικά αυτό το εγχειρίδιο, καθώς και το εγχειρίδιο εγκατάστασης της εξωτερικής μονάδας, πριν από την εγκατάσταση της μονάδας κλιματιστικού.

**ΓΙΑ ΑΥΤΟΝ ΠΟΥ ΚΑΝΕΙ ΤΗΝ ΕΓΚΑΤΑΣΤΑΣΗ**

## MANUAL DE INSTALAÇÃO

Para uma utilização segura e correcta, leia atentamente este manual e o manual de instalação da unidade exterior antes de instalar o aparelho de ar condicionado.

**PARA O INSTALADOR**

## INSTALLATIONSMANUAL

Læs af sikkerhedshensyn denne manual samt manualen til installation af udendørsenheden grundigt, før du installerer klimaanlægget.

**TIL INSTALLATØREN**

## INSTALLATIONSMANUAL

Läs bruksanvisningen och utomhusenhetens installationshandbok noga innan luftkonditioneringen installeras så att den används på ett säkert och korrekt sätt.

**FÖR INSTALLATÖREN**

## MONTAJ ELKİTABI

Emniyetli ve doğru kullanım için, klima cihazını monte etmeden önce bu kılavuzu ve dış ünite montaj kılavuzunu tamamiyla okuyun.

**MONTÖR İÇİN**

## РУКОВОДСТВО ПО УСТАНОВКЕ

Для обеспечения безопасной и надлежащей эксплуатации внимательно прочтите данное руководство и руководство по установке наружного прибора перед установкой кондиционера.

**ДЛЯ УСТАНОВИТЕЛЯ**

## 安装说明书

安装空调器之前，请先通读本说明书和室外机组安装说明书，以便安全正确地使用本机。

**安装人员适用**

English

Deutsch

Français

Nederlands

Español

Italiano

Ελληνικά

Português

Dansk

Svenska

Türkçe

Русский

中文

# Contents

1. Safety precautions.....	2	5. Drainage piping work.....	7
2. Installation location.....	3	6. Electrical work.....	8
3. Installing the indoor unit.....	3	7. Test run.....	14
4. Installing the refrigerant piping.....	6	8. Easy maintenance function.....	18

**Note:**  
The phrase “Wired remote controller” in this installation manual refers to the PAR-31MAA.  
If you need any information for the other remote controller, please refer to either the installation manual or initial setting manual which are included in these boxes.

## 1. Safety precautions

- ▶ Before installing the unit, make sure you read all the “Safety precautions”.
- ▶ Please report to your supply authority or obtain their consent before connecting this equipment to the power supply system.

**⚠ Warning:**  
Describes precautions that must be observed to prevent danger of injury or death to the user.

**⚠ Caution:**  
Describes precautions that must be observed to prevent damage to the unit.

- ⚠ Warning:**
- Ask a dealer or an authorized technician to install the unit.
  - For installation work, follow the instructions in the Installation Manual and use tools and pipe components specifically made for use with refrigerant specified in the outdoor unit installation manual.
  - The unit must be installed according to the instructions in order to minimize the risk of damage from earthquakes, typhoons, or strong winds. An incorrectly installed unit may fall down and cause damage or injuries.
  - The unit must be securely installed on a structure that can sustain its weight.
  - If the air conditioner is installed in a small room, measures must be taken to prevent the refrigerant concentration in the room from exceeding the safety limit in the event of refrigerant leakage. Should the refrigerant leak and cause the concentration limit to be exceeded, hazards due to lack of oxygen in the room may result.
  - Ventilate the room if refrigerant leaks during operation. If refrigerant comes into contact with a flame, poisonous gases will be released.
  - All electric work must be performed by a qualified technician according to local regulations and the instructions given in this manual.
  - Use only specified cables for wiring. The wiring connections must be made securely with no tension applied on the terminal connections. Also, never splice the cables for wiring (unless otherwise indicated in this document). Failure to observe these instructions may result in overheating or a fire.

After installation work has been completed, explain the “Safety precautions,” use, and maintenance of the unit to the customer according to the information in the Operation Manual and perform the test run to ensure normal operation. Both the Installation Manual and Operation Manual must be given to the user for keeping. These manuals must be passed on to subsequent users.

**⚡** : Indicates a part which must be grounded.

**⚠ Warning:**  
Carefully read the labels affixed to the main unit.

- The appliance shall be installed in accordance with national wiring regulations.
- The terminal block cover panel of the unit must be firmly attached.
- If the supply cord is damaged, it must be replaced by the manufacturer, its service agent or similarly qualified persons in order to avoid a hazard.
- Use only accessories authorized by Mitsubishi Electric and ask a dealer or an authorized technician to install them.
- The user should never attempt to repair the unit or transfer it to another location.
- After installation has been completed, check for refrigerant leaks. If refrigerant leaks into the room and comes into contact with the flame of a heater or portable cooking range, poisonous gases will be released.
- When installing or relocating, or servicing the air conditioner, use only the specified refrigerant (R410A) to charge the refrigerant lines. Do not mix it with any other refrigerant and do not allow air to remain in the lines. If air is mixed with the refrigerant, then it can be the cause of abnormal high pressure in the refrigerant line, and may result in an explosion and other hazards. The use of any refrigerant other than that specified for the system will cause mechanical failure or system malfunction or unit breakdown. In the worst case, this could lead to a serious impediment to securing product safety.

### 1.1. Before installation (Environment)

- ⚠ Caution:**
- Do not use the unit in an unusual environment. If the air conditioner is installed in areas exposed to steam, volatile oil (including machine oil), or sulfuric gas, areas exposed to high salt content such as the seaside, the performance can be significantly reduced and the internal parts can be damaged.
  - Do not install the unit where combustible gases may leak, be produced, flow, or accumulate. If combustible gas accumulates around the unit, fire or explosion may result.
  - Do not keep food, plants, caged pets, artwork, or precision instruments in the direct airflow of the indoor unit or too close to the unit as these items can be damaged by temperature changes or dripping water.

- When the room humidity exceeds 80% or when the drainpipe is clogged, water may drip from the indoor unit. Do not install the indoor unit where such dripping can cause damage.
- When installing the unit in a hospital or communications office, be prepared for noise and electronic interference. Inverters, home appliances, high-frequency medical equipment, and radio communications equipment can cause the air conditioner to malfunction or breakdown. The air conditioner may also affect medical equipment, disturbing medical care, and communications equipment, harming the screen display quality.

### 1.2. Before installation or relocation

- ⚠ Caution:**
- Be extremely careful when transporting the units. Two or more persons are needed to handle the unit as it weighs 20 kg or more. Do not grasp the packaging bands. Wear protective gloves as you can injure your hands on the fins or other parts.
  - Be sure to safely dispose of the packaging materials. Packaging materials, such as nails and other metal or wooden parts may cause stabs or other injuries.
  - Thermal insulation of the refrigerant pipe is necessary to prevent condensation. If the refrigerant pipe is not properly insulated, condensation will be formed.

- Place thermal insulation on the pipes to prevent condensation. If the drainpipe is installed incorrectly, water leakage and damage to the ceiling, floor, furniture, or other possessions may result.
- Do not clean the air conditioner unit with water. Electric shock may result.
- Tighten all flare nuts to specification using a torque wrench. If tightened too much, the flare nut can break after an extended period.

### 1.3. Before electric work

- ⚠ Caution:**
- Be sure to install molded case circuit breakers. If not installed, electric shock may result.
  - For the power lines, use standard cables of sufficient capacity. Otherwise, a short circuit, overheating, or fire may result.
  - When installing the power lines, do not apply tension to the cables.

- Be sure to ground the unit. If the unit is not properly grounded, electric shock may result.
- Use circuit breakers (ground fault interrupter, isolating switch (+B fuse), and molded case circuit breaker) with the specified capacity. If the circuit breaker capacity is larger than the specified capacity, breakdown or fire may result.

### 1.4. Before starting the test run

- ⚠ Caution:**
- Turn on the main power switch more than 12 hours before starting operation. Starting operation just after turning on the power switch can severely damage the internal parts.
  - Before starting operation, check that all panels, guards and other protective parts are correctly installed. Rotating, hot, or high voltage parts can cause injuries.

- Do not operate the air conditioner without the air filter set in place. If the air filter is not installed, dust may accumulate and breakdown may result.
- Do not touch any switch with wet hands. Electric shock may result.
- Do not touch the refrigerant pipes with bare hands during operation.
- After stopping operation, be sure to wait at least five minutes before turning off the main power switch. Otherwise, water leakage or breakdown may result.

## 2. Installation location

### PKA-RP-HAL

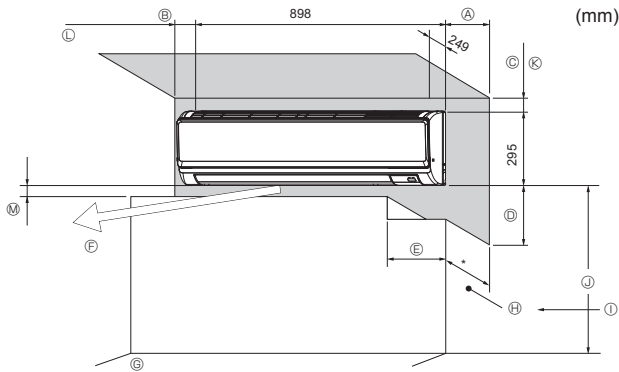


Fig. 2-1

### 2.1. Outline dimensions (Indoor unit) (Fig. 2-1)

Select a proper position allowing the following clearances for installation and maintenance.

### PKA-RP-HAL

(mm)

A	B	C	D	E
Min. 100.5	Min. 22.4	Min. 48	Min. 250	Min. 220

- Ⓔ Air outlet: Do not place an obstacle within 1500 mm of the air outlet.
- Ⓖ Floor surface
- Ⓗ Furnishing
- Ⓜ When the projection dimension of a curtain rail or the like from the wall exceeds 60 mm, extra distance should be taken because the fan air current may create a short cycle.
- Ⓝ 1800 mm or greater from the floor surface (for high location mounting)
- Ⓚ 108 mm or greater with left or rear left piping and optional drain pump installation
- Ⓛ 550 mm or greater with optional drain pump installation
- Ⓜ Minimum 7 mm: 265 mm or greater with optional drain pump installation

## 3. Installing the indoor unit

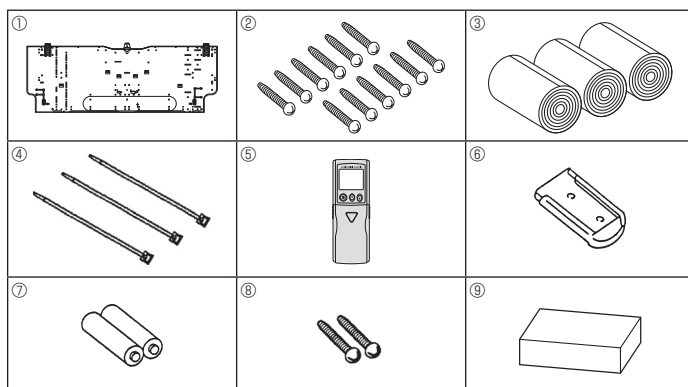


Fig. 3-1

### 3.1. Check the indoor unit accessories (Fig. 3-1)

The indoor unit should be supplied with the following accessories.

PART NUMBER	ACCESSORY	QUANTITY	LOCATION OF SETTING
		35, 50	
①	Mount board	1	Fix at the back of the unit
②	Tapping screw 4 × 35	12	
③	Felt tape	3	
④	Band	3	
⑤	Wireless remote controller	1	
⑥	Remote controller holder	1	
⑦	Alkali batteries (size AAA)	2	
⑧	Tapping screw 3.5 × 16	2	
⑨	Block of cushion	1	

### 3.2. Installing the wall mounting fixture (Fig. 3-2)

#### 3.2.1. Setting the wall mounting fixture and piping positions

► Using the wall mounting fixture, determine the unit's installation position and the locations of the piping holes to be drilled.

#### ⚠ Warning:

Before drilling a hole in the wall, you must consult the building contractor.

### PKA-RP-HAL

- Ⓐ Mount board ①
- Ⓑ Indoor unit
- Ⓒ Bottom left rear pipe hole (ø65)
- Ⓓ Bottom right rear pipe hole (ø65)
- Ⓔ Knockout hole for left rear hole (70 × 310)
- Ⓕ Bolt hole (4-ø9 hole)
- Ⓖ Center measurement hole (ø2.5 hole)
- Ⓗ Tapping hole (77-ø5.1 hole)
- Ⓜ Hole centre
- Ⓝ Align the scale with the line.
- Ⓚ Insert scale.

#### 3.2.2. Drilling the piping hole (Fig. 3-3)

- Use a core drill to make a hole of 75-80 mm diameter in the wall in the piping direction, at the position shown in the diagram to the left.
- The hole should incline so that the outside opening is lower than the inside opening.
- Insert a sleeve (with a 75 mm diameter and purchased locally) through the hole.

- Ⓐ Sleeve
- Ⓑ Hole
- Ⓒ (Indoors)
- Ⓓ Wall
- Ⓔ (Outdoors)

#### Note:

The purpose of the hole's inclination is to promote drain flow.

### PKA-RP-HAL

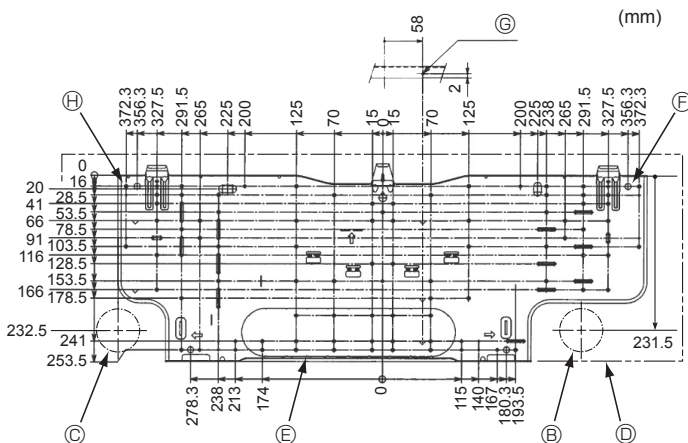


Fig. 3-2

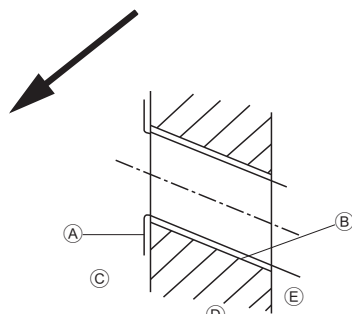


Fig. 3-3

### 3. Installing the indoor unit

#### ■ PKA-RP-HAL

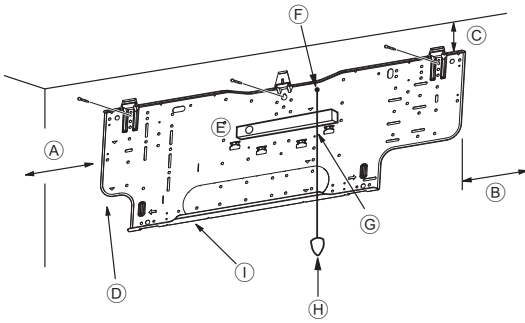


Fig. 3-4

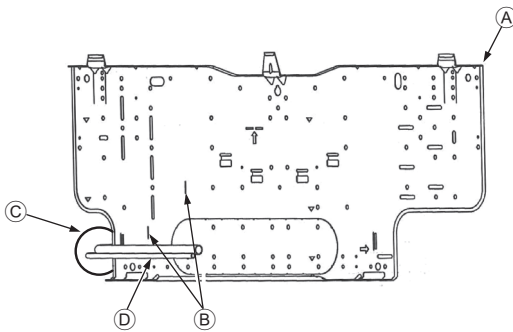


Fig. 3-5

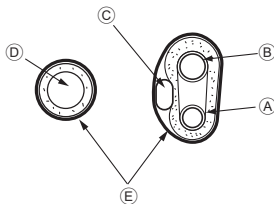


Fig. 3-6

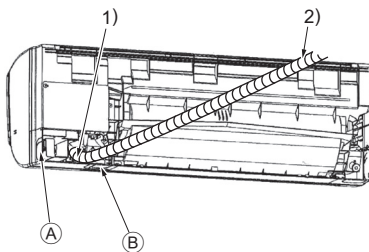


Fig. 3-7

#### 3.2.3. Installing the wall mounting fixture

- ▶ Since the indoor unit weighs near 13 kg, selection of the mounting location requires thorough consideration. If the wall does not seem to be strong enough, reinforce it with boards or beams before installation.
- ▶ The mounting fixture must be secured at both ends and at the centre, if possible. Never fix it at a single spot or in any nonsymmetrical way. (If possible, secure the fixture at all the positions marked with a bold arrow.)

#### ⚠ Warning:

If possible, secure the fixture at all positions indicated with a bold arrow.

#### ⚠ Caution:

- The unit body must be mounted horizontally.
- Fasten at the holes marked with ▲ as shown by the arrows.

#### ■ PKA-RP-HAL (Fig. 3-4)

- Ⓐ Min. 90 mm (617.6 mm or greater with optional drain pump installation)
- Ⓑ Min. 200 mm
- Ⓒ Min. 72 mm (142.5 mm or greater with left, rear left, or lower left piping, and optional drain pump installation)
- Ⓓ Fixing screws (4 × 35) ②
- Ⓔ Level
- Ⓕ Fasten a thread to the hole.
- Ⓖ Place the level against the horizontal reference line of the mount board and mount so that it is level. Hang a weight from the thread and align with ▽ EPK of the mount board to permit leveling.
- Ⓗ Weight
- Ⓘ Mount board ①

#### 3.3. When embedding pipes into the wall (Fig. 3-5)

- The pipes are on the bottom left.
  - When the cooling pipe, drain pipes internal/external connection lines etc are to be embedded into the wall in advance, the extruding pipes etc, may have to be bent and have their length modified to suit the unit.
  - Use marking on the mount board as a reference when adjusting the length of the embedded cooling pipe.
  - During construction, give the length of the extruding pipes etc some leeway.
- Ⓐ Mount board ①
  - Ⓑ Reference marking for flare connection
  - Ⓒ Through hole
  - Ⓓ On-site piping

#### 3.4. Preparing the indoor unit

- \* Check beforehand because the preparatory work will differ depending on the exiting direction of the piping.
- \* When bending the piping, bend gradually while maintaining the base of the piping exiting portion. (Abrupt bending will cause misshaping of the piping.)

#### Extraction and processing of the piping and wiring (Fig. 3-6)

1. Connection of indoor/outdoor wiring ⇒ See page 8.
2. Wrap the felt tape ③ in the range of the refrigerant piping and drain hose which will be housed within the piping space of the indoor unit.
  - Wrap the felt tape ③ securely from the base for each of the refrigerant piping and the drain hose.
  - Overlap the felt tape ③ at one-half of the tape width.
  - Fasten the end portion of the wrapping with vinyl tape.
3. Be careful that the drain hose is not raised, and that contact is not made with the indoor unit box body. Do not pull the drain hose forcefully because it might come out.

#### Rear, right and lower piping (Fig. 3-7)

- 1) Be careful that the drain hose is not raised, and that contact is not made with the indoor unit box body. Arrange the drain hose at the underside of the piping and wrap it with felt tape ③.
- 2) Securely wrap the felt tape ③ starting from the base. (Overlap the felt tape at one-half of the tape width.)
  - Ⓐ Cut off for right piping.
  - Ⓑ Cut off for lower piping.

### 3. Installing the indoor unit

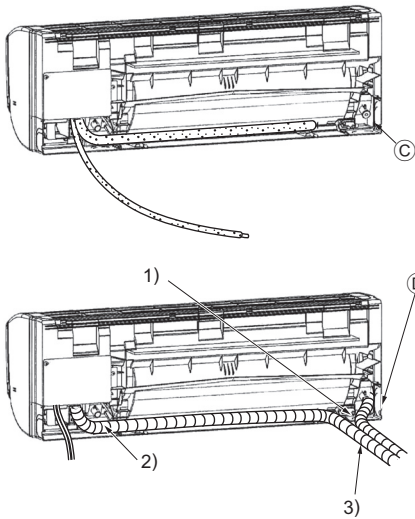


Fig. 3-8

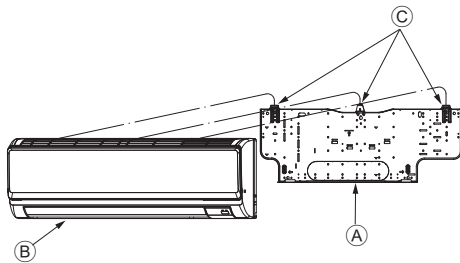


Fig. 3-9

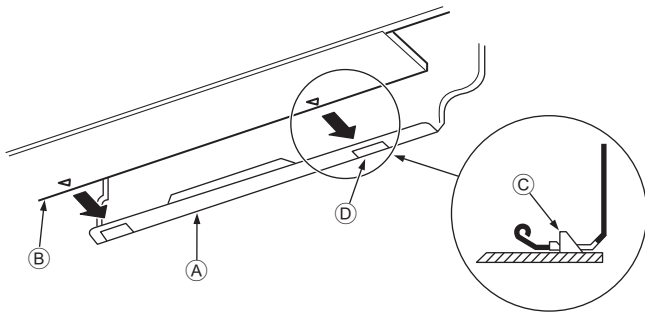


Fig. 3-10

#### ■ PKA-RP-HAL

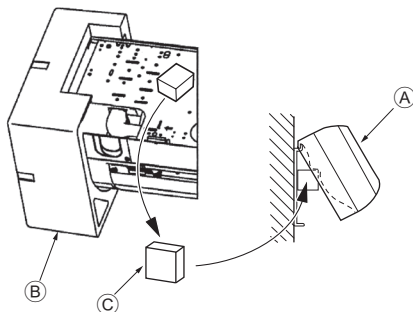


Fig. 3-11

#### Left and left rear piping (Fig. 3-8)

##### 4. Drain hose replacement → See 5. Drainage piping work

Be sure to replace the drain hose and the drain cap for the left and rear left piping. Dripping may occur if you forget to install or fail to replace these parts.

Ⓢ Drain cap

- 1) Be careful that the drain hose is not raised, and that contact is not made with the indoor unit box body.
- 2) Securely wrap the felt tape Ⓢ starting from the base. (Overlap the felt tape at one-half of the tape width.)
- 3) Fasten the end portion of the felt tape Ⓢ with vinyl tape.
  - Ⓢ Cut off for left piping.

### 3.5. Mounting the indoor unit

#### 1. Affix the mount board ① to the wall.

#### 2. Hang the indoor unit on the hook positioned on the upper part of the mount board.

#### Rear, right and lower piping (Fig. 3-9)

#### 3. While inserting the refrigerant piping and drain hose into the wall penetration hole (penetration sleeve), hang the top of the indoor unit to the mount board ①.

#### 4. Move the indoor unit to the left and right, and verify that the indoor unit is hung securely.

#### 5. Fasten by pushing the bottom part of the indoor unit onto the mount board ①. (Fig. 3-10)

\* Check that the knobs on the bottom of the indoor unit are securely hooked into the mount board ①.

#### 6. After installation, be sure to check that the indoor unit is installed level.

- Ⓛ Mount board ①
- Ⓜ Indoor unit
- Ⓨ Hook
- Ⓩ square hole

#### Left and left rear piping (Fig. 3-11)

#### 3. While inserting the drain hose into the wall penetration hole (penetration sleeve), hang the top of the indoor unit to the mount board ①.

Giving consideration to the piping storage, move the unit all the way to the left side, then cut part of the packaging carton and wrap into a cylindrical form as illustrated in the diagram. Hook this to the rear surface rib as a spacer, and raise the indoor unit.

#### 4. Connect the refrigerant piping with the site-side refrigerant piping.

#### 5. Fasten by pushing the bottom part of the indoor unit onto the mount board ①.

\* Check that the knobs on the bottom of the indoor unit are securely hooked into the mount board ①.

#### 6. After installation, be sure to check that the indoor unit is installed level.

- Ⓛ Indoor unit
- Ⓧ Packaging cushion
- Ⓨ Block of cushion Ⓧ

## 4. Installing the refrigerant piping

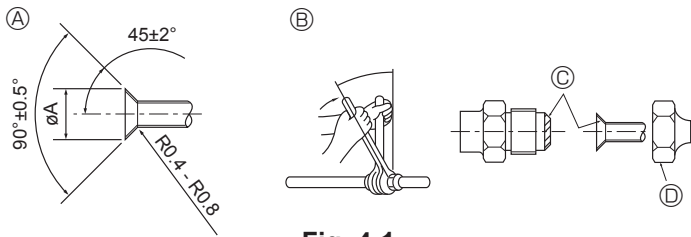


Fig. 4-1

(A) Flare cutting dimensions

Copper pipe O.D. (mm)	Flare dimensions øA dimensions (mm)
ø6.35	8.7 - 9.1
ø12.7	16.2 - 16.6

### 4.1. Connecting pipes (Fig. 4-1)

- When commercially available copper pipes are used, wrap liquid and gas pipes with commercially available insulation materials (heat-resistant to 100 °C or more, thickness of 12 mm or more).
- The indoor parts of the drain pipe should be wrapped with polyethylene foam insulation materials (specific gravity of 0.03, thickness of 9 mm or more).
- Apply thin layer of refrigerant oil to pipe and joint seating surface before tightening flare nut.
- Use two wrenches to tighten piping connections.
- Use refrigerant piping insulation provided to insulate indoor unit connections. Insulate carefully.
- Flare nut tightening torque
- Do not apply refrigerating machine oil to the screw portions. (This will make the flare nuts more apt to loosen.)
- Be certain to use the flare nuts that are attached to the main unit. (Use of commercially-available products may result in cracking.)

Copper pipe O.D. (mm)	Flare nut O.D. (mm)	Tightening torque (N·m)
ø6.35	17	14 - 18
ø12.7	28	49 - 61

#### ⚠ Warning:

When installing the unit, securely connect the refrigerant pipes before starting the compressor.

### ■ PKA-RP-HAL

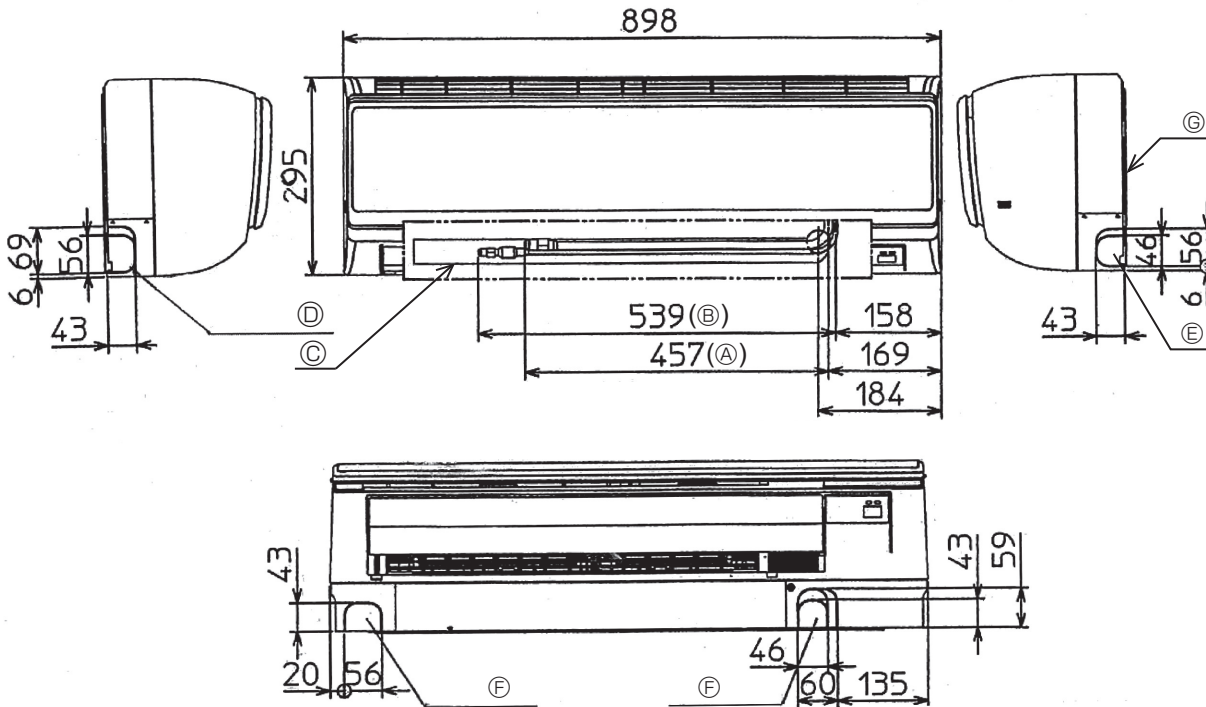


Fig. 4-2

### 4.2. Indoor unit

Refrigerant and Drainage Piping Sizes		
Item	Model	PKA-RP35, RP50HAL
Refrigerant piping	Liquid	ODø6.35 (1/4")
	Gas	ODø12.7 (1/2")
Drainage piping		ODø16

### 4.3. Positioning refrigerant and drain piping (Fig. 4-2)

#### ■ PKA-RP-HAL

- (A) Gas pipe \* Indicates the condition with accessories mounted.
- (B) Liquid pipe
- (C) Drain hose (Effective length: 400)
- (D) Left-side piping knockout hole
- (E) Right-side piping knockout hole
- (F) Lower piping knockout hole
- (G) Mount board

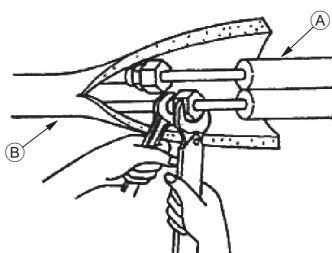


Fig. 4-3

### 4.4. Refrigerant piping (Fig. 4-3)

#### Indoor unit

- Remove the flare nut and cap of the indoor unit.
- Make a flare for the liquid pipe and gas pipe and apply refrigerating machine oil (available from your local supplier) to the flare sheet surface.
- Quickly connect the on site cooling pipes to the unit.
- Wrap the pipe cover that is attached to the gas pipe and make sure that the connection joint is not visible.
- Wrap the pipe cover of the unit's liquid pipe and make sure that it covers the insulation material of the on site liquid pipe.
- The portion where the insulation material is joined is sealed by taping.
  - (A) Site-side refrigerant piping
  - (B) Unit side refrigerant piping

## 4. Installing the refrigerant piping

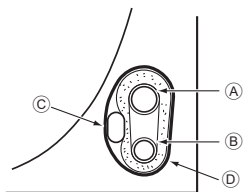


Fig. 4-4

### 4.4.1. Storing in the piping space of the unit (Fig.4-4)

1. Wrap the supplied felt tape in the range of the refrigerant piping which will be housed within the piping space of the unit to prevent dripping.
2. Overlap the felt tape at one-half of the tape width.
3. Fasten the end portion of the wrapping with vinyl tape, etc.

- Ⓐ Gas pipe
- Ⓑ Liquid pipe
- Ⓒ Indoor/outdoor connection cable
- Ⓓ Felt tape ③

## 5. Drainage piping work

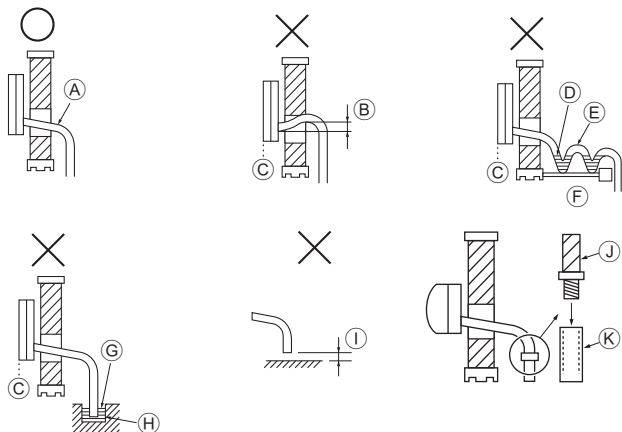


Fig. 5-1

### 5.1. Drainage piping work (Fig. 5-1)

- Drain pipes should have an inclination of 1/100 or more.
- For extension of the drain pipe, use a soft hose (inner dia. 15 mm) available on the market or hard vinyl chloride pipe (VP-16/O.D. ø22 PVC TUBE). Make sure that there is no water leakage from the connections.
- Do not put the drain piping directly in a drainage ditch where sulphuric gas may be generated.
- When piping has been completed, check that water flows from the end of the drain pipe.

#### ⚠ Caution:

The drain pipe should be installed according to this Installation Manual to ensure correct drainage. Thermal insulation of the drain pipes is necessary to prevent condensation. If the drain pipes are not properly installed and insulated, condensation may drip on the ceiling, floor or other possessions.

- Ⓐ Inclined downwards
- Ⓑ Must be lower than outlet point
- Ⓒ Water leakage
- Ⓓ Trapped drainage
- Ⓔ Air
- Ⓕ Wavy
- Ⓖ The end of drain pipe is under water.
- Ⓗ Drainage ditch
- Ⓜ 5 cm or less between the end of drain pipe and the ground.
- Ⓝ Drain hose
- Ⓚ Soft PVC hose (Inside diameter 15 mm) or Hard PVC pipe (VP-16)
- \* Bond with PVC type adhesive

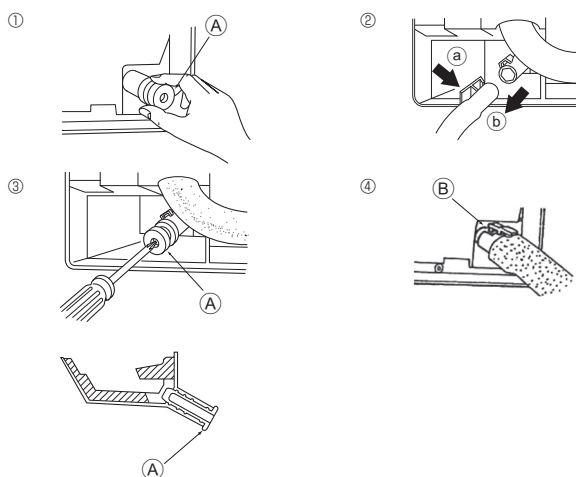


Fig. 5-2

### Preparing left and left rear piping (Fig. 5-2)

- ① Remove the drain cap.
- Remove the drain cap by holding the bit that sticks out at the end of the pipe and pulling.
  - Ⓐ Drain cap
- ② Remove the drain hose.
- Remove the drain hose by holding on to the base of the hose Ⓜ (shown by arrow) and pulling towards yourself Ⓜ.
- ③ Insert the drain cap.
- Insert a screwdriver etc into the hole at the end of the pipe and be sure to push to the base of the drain cap.
- ④ Insert the drain hose.
- Push the drain hose until it is at the base of the drain box connection outlet.
- Please make sure the drain hose hook is fastened properly over the extruding drain box connection outlet.

- Ⓜ Hooks

### ◆ Storing in the piping space of the indoor unit (Fig. 5-3)

- \* When the drain hose will be routed indoors, be sure to wrap it with commercially available insulation.
- \* Gather the drain hose and the refrigerant piping together and wrap them with the supplied felt tape ③.
- \* Overlap the felt tape ③ at one-half of the tape width.
- \* Fasten the end portion of the wrapping with vinyl tape, etc.

- Ⓐ Gas pipe
- Ⓑ Liquid pipe
- Ⓒ Drain hose
- Ⓓ Indoor/outdoor connection wiring
- Ⓔ Felt tape ③

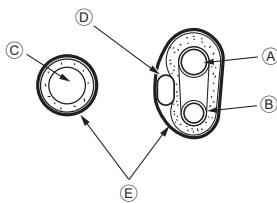


Fig. 5-3

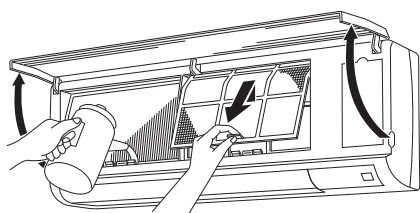


Fig. 5-4

### ◆ Check of drainage (Fig. 5-4)

1. Open the front grille and remove the filter.
2. Facing the fins of the heat exchanger, slowly fill with water.
3. After the drainage check, attach the filter and close the grille.

## 6. Electrical work

### PKA-RP-HAL

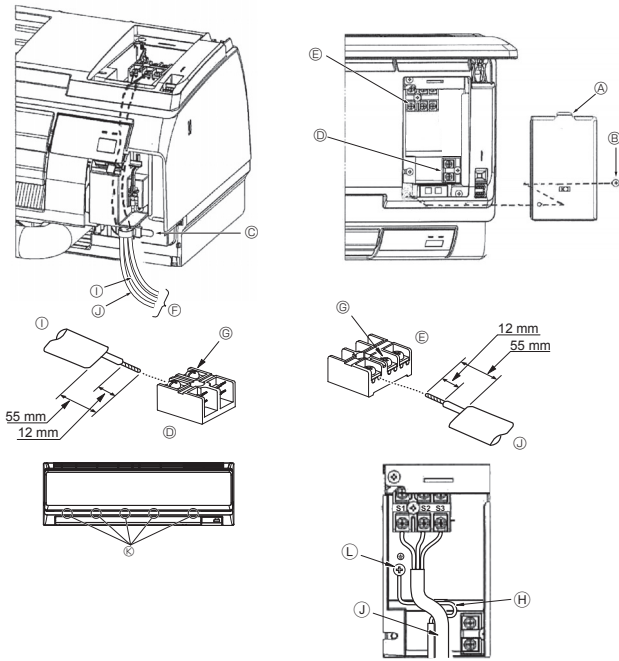


Fig. 6-1

### 6.1. Indoor unit

#### PKA-RP-HAL (Fig. 6-1)

Connection can be made without removing the front panel.

1. Open the front grille, remove the screw (1 piece), and remove the electrical parts cover.
- \* Electrical work can be conducted more effectively with the panel removed. When attaching the panel, check that the hooks (K) at five locations on the air outlet side are connected securely.
2. Securely connect each wire to the terminal board.
- \* In consideration of servicing, provide extra length for each of the wires.
- \* Take care when using strand wires, because beards may cause the wiring to short out.
3. Install the parts that were removed back to their original condition.
4. Fasten each of the wires with the clamp under the electrical parts box.

- A Electrical box cover
- B Fixing screw
- C Clamp
- D Wired remote control terminal board: (option) 1 and 2, do not have polarity
- E Indoor/outdoor connection terminal board: S1, S2, and S3, have polarity
- F Lead
- G Terminal screw
- H Ground wire: Connect the ground wire in the direction illustrated in the diagram.
- I Wired remote control cord
- J Indoor/outdoor connection cord
- K Hook
- L Ground wire connection portion

#### Warning:

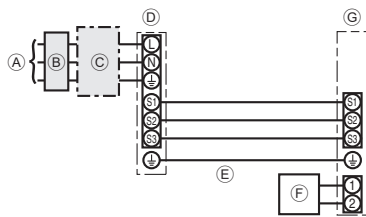
Never splice the power cable or the indoor-outdoor connection cable, otherwise it may result in a smoke, a fire or communication failure.

#### 6.1.1. Indoor unit power supplied from outdoor unit

The following connection patterns are available.

The outdoor unit power supply patterns vary on models.

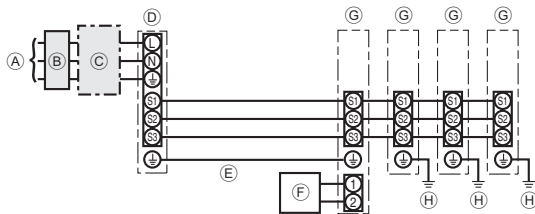
#### 1:1 System



- A Outdoor unit power supply
- B Earth leakage breaker
- C Wiring circuit breaker or isolating switch
- D Outdoor unit
- E Indoor/outdoor unit connecting cords
- F Wired remote controller (option)
- G Indoor unit

\* Affix a label A that is included with the manuals near each wiring diagram for the indoor and outdoor units.

#### Simultaneous twin/triple/four system



- A Outdoor unit power supply
- B Earth leakage breaker
- C Wiring circuit breaker or isolating switch
- D Outdoor unit
- E Indoor/outdoor unit connecting cords
- F Wired remote controller (option)
- G Indoor unit
- H Indoor unit earth

\* Affix a label A that is included with the manuals near each wiring diagram for the indoor and outdoor units.



## 6. Electrical work

Indoor unit model		PKA-RP-HAL
Indoor unit power supply		-
Indoor unit input capacity		-
Main power switch (Breaker)		*1
Wiring Wire No. x size (mm <sup>2</sup> )	Indoor unit power supply	-
	Indoor unit earth	1 × Min. 1.5
	Indoor unit-Outdoor unit	*2 3 × 1.5 (Polar)
	Indoor unit-Outdoor unit earth	*2 1 × Min. 1.5
	Wired remote controller (option) Indoor unit	*3 2 × Min. 0.3
Circuit rating	Indoor unit L-N	*4 -
	Indoor unit-Outdoor unit S1-S2	*4 AC 230 V
	Indoor unit-Outdoor unit S2-S3	*4 DC 24 V
	Wired remote controller (option) Indoor unit	*4 DC 12 V

\*1. A breaker with at least 3 mm contact separation in each pole shall be provided. Use non-fuse breaker (NF) or earth leakage breaker (NV).

\*2. <For 25-140 outdoor unit application>

Max. 45 m

If 2.5 mm<sup>2</sup> used, Max. 50 m

If 2.5 mm<sup>2</sup> used and S3 separated, Max. 80 m

For PUHZ-RP100/125/140 YHA application, use shield wires. The shield part must be grounded with the indoor unit OR the outdoor unit, NOT with both.

<For 200/250 outdoor unit application>

Max. 18 m

If 2.5 mm<sup>2</sup> used, Max. 30 m

If 4 mm<sup>2</sup> used and S3 separated, Max. 50 m

If 6 mm<sup>2</sup> used and S3 separated, Max. 80 m

\*3. Max. 500 m

\*4. The figures are NOT always against the ground.

S3 terminal has DC 24 V against S2 terminal. However between S3 and S1, these terminals are not electrically insulated by the transformer or other device.

**Notes:** 1. Wiring size must comply with the applicable local and national code.

2. Power supply cords and Indoor unit/Outdoor unit connecting cords shall not be lighter than polychloroprene sheathed flexible cord. (Design 60245 IEC 57)

3. Install an earth longer than other cords.

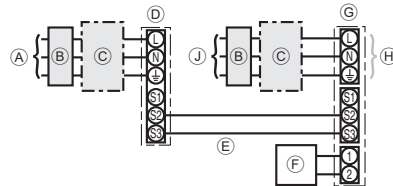
### 6.1.2. Separate indoor unit/outdoor unit power supplies (For PUHZ application only)

The following connection patterns are available.

The outdoor unit power supply patterns vary on models.

#### 1:1 System

\* The optional wiring replacement kit is required.

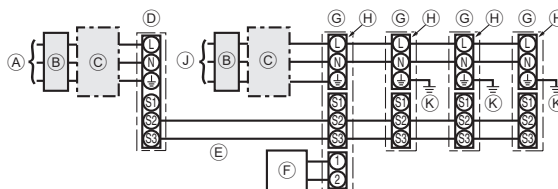


- Ⓐ Outdoor unit power supply
- Ⓑ Earth leakage breaker
- Ⓒ Wiring circuit breaker or isolating switch
- Ⓓ Outdoor unit
- Ⓔ Indoor/outdoor unit connecting cords
- Ⓕ Wired remote controller (option)
- Ⓖ Indoor unit
- Ⓗ Option
- Ⓙ Indoor unit power supply

\* Affix a label B that is included with the manuals near each wiring diagram for the indoor and outdoor units.

#### Simultaneous twin/triple/four system

\* The optional wiring replacement kits are required.



- Ⓐ Outdoor unit power supply
- Ⓑ Earth leakage breaker
- Ⓒ Wiring circuit breaker or isolating switch
- Ⓓ Outdoor unit
- Ⓔ Indoor/outdoor unit connecting cords
- Ⓕ Wired remote controller (option)
- Ⓖ Indoor unit
- Ⓗ Option
- Ⓙ Indoor unit power supply
- Ⓚ Indoor unit earth

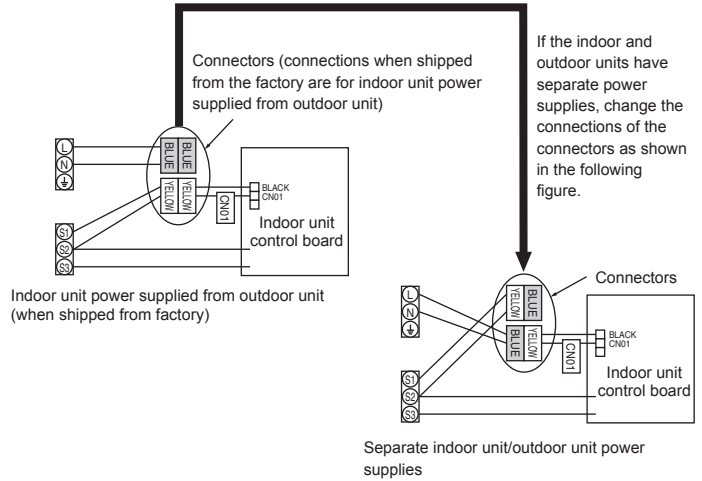
\* Affix a label B that is included with the manuals near each wiring diagram for the indoor and outdoor units.

## 6. Electrical work

If the indoor and outdoor units have separate power supplies, refer to the table at the below. If the optional wiring replacement kit is used, change the indoor unit electrical box wiring referring to the figure in the right and the DIP switch settings of the outdoor unit control board.

	Indoor unit specifications								
Indoor power supply terminal kit (option)	Required								
Indoor unit electrical box connector connection change	Required								
Label affixed near each wiring diagram for the indoor and outdoor units	Required								
Outdoor unit DIP switch settings (when using separate indoor unit/outdoor unit power supplies only)	<table border="1"> <tr> <td>ON</td> <td></td> <td></td> <td>3</td> </tr> <tr> <td>OFF</td> <td>1</td> <td>2</td> <td></td> </tr> </table> (SW8)	ON			3	OFF	1	2	
ON			3						
OFF	1	2							

\* There are three types of labels (labels A, B, and C). Affix the appropriate labels to the units according to the wiring method.



Indoor unit model		PKA-RP-HAL
Indoor unit power supply		~N (single), 50 Hz, 230 V
Indoor unit input capacity		
Main power switch (Breaker)		*1 16 A
Wiring Wire No. × size (mm <sup>2</sup> )	Indoor unit power supply & earth	3 × Min. 1.5
	Indoor unit earth	1 × Min. 1.5
	Indoor unit-Outdoor unit	*2 2 × Min. 0.3
	Indoor unit-Outdoor unit earth	-
	Wired remote controller (option) Indoor unit	*3 2 × Min. 0.3 (Non-polar)
Circuit rating	Indoor unit L-N	*4 AC 230 V
	Indoor unit-Outdoor unit S1-S2	*4 -
	Indoor unit-Outdoor unit S2-S3	*4 DC 24 V
	Wired remote controller (option) Indoor unit	*4 DC 12 V

\*1. A breaker with at least 3 mm contact separation in each pole shall be provided. Use non-fuse breaker (NF) or earth leakage breaker (NV).

\*2. Max. 120 m

For PUHZ-RP100/125/140 YHA application, use shield wires. The shield part must be grounded with the indoor unit OR the outdoor unit, NOT with both.

\*3. Max. 500 m

\*4. The figures are NOT always against the ground.

**Notes:** 1. Wiring size must comply with the applicable local and national code.

2. Power supply cords and indoor unit/outdoor unit connecting cords shall not be lighter than polychloroprene sheathed flexible cord. (Design 60245 IEC 57)

3. Install an earth longer than other cables.

### ⚠ Warning:

Never splice the power cable or the indoor-outdoor connection cable, otherwise it may result in a smoke, a fire or communication failure.

## 6. Electrical work

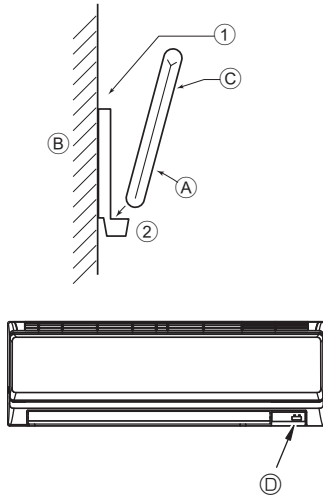


Fig. 6-2

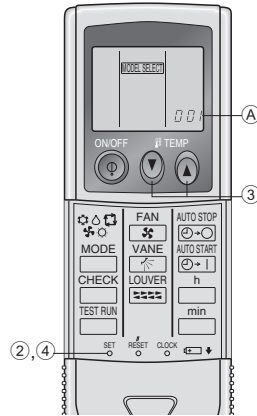


Fig. 6-3

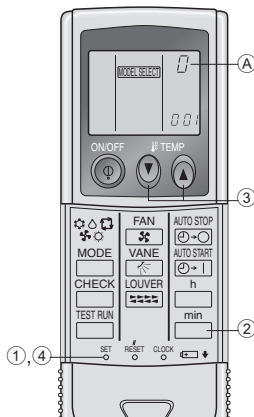


Fig. 6-4

### 6.2. Remote controller

#### 6.2.1. For wired remote controller

##### 1) Two remote controllers setting

If two remote controllers are connected, set one to "Main" and the other to "Sub". For setting procedures, refer to "Function selection of remote controller" in the operation manual for the indoor unit.

#### 6.2.2. For wireless remote controller

##### 1) Installation area

- Area in which the remote controller is not exposed to direct sunshine.
- Area in which there is no nearby heating source.
- Area in which the remote controller is not exposed to cold (or hot) winds.
- Area in which the remote controller can be operated easily.
- Area in which the remote controller is beyond the reach of children.

##### 2) Installation method (Fig. 6-2)

① Attach the remote controller holder to the desired location using two tapping screws.

② Place the lower end of the controller into the holder.

- Ⓐ Remote controller
- Ⓑ Wall
- Ⓒ Display panel
- Ⓓ Receiver

• The signal can travel up to approximately 7 meters (in a straight line) within 45 degrees to both right and left of the center line of the receiver.

##### 3) Setting (Fig. 6-3)

① Insert batteries.

② Press the SET button with something sharp at the end.

MODEL SELECT blinks and Model No. is lighted.

③ Press the temp button to set the Model No.

④ Press the SET button with something sharp at the end.

MODEL SELECT and Model No. are lighted for three seconds, then turned off.

Indoor	Outdoor	Ⓐ Model No.
PKA (35, 50)	PUH, PUHZ	002
	PU	034

##### 4) Assigning a remote controller to each unit (Fig. 6-4)

Each unit can be operated only by the assigned remote controller.

Make sure each pair of an indoor unit PC board and a remote controller is assigned to the same pair No.

##### 5) Wireless remote controller pair number setting operation

① Press the SET button with something sharp at the end.

Start this operation from the status of remote controller display turned off.

MODEL SELECT blinks and Model No. is lighted.

② Press the MIN button twice continuously.

Pair No. "0" blinks.

③ Press the temp button to set the pair number you want to set.

④ Press the SET button with something sharp at the end.

Set pair number is lighted for three seconds then turned off.

Ⓐ Pair No. of wireless remote controller	Indoor PC board
0	Factory setting
1	Cut J41
2	Cut J42
3-9	Cut J41, J42

## 6. Electrical work

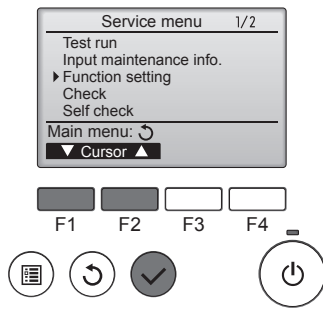


Fig. 6-5

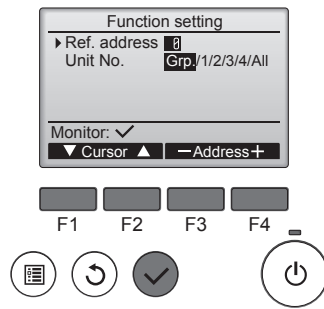


Fig. 6-6

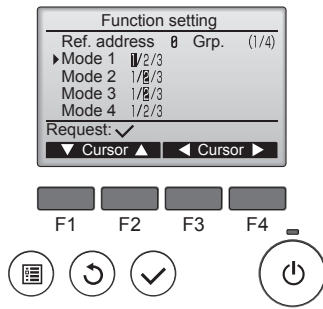


Fig. 6-7

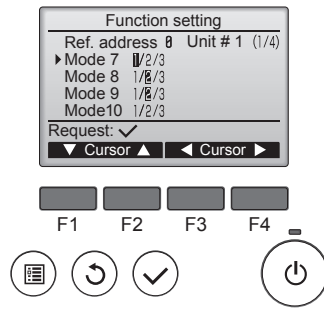


Fig. 6-8

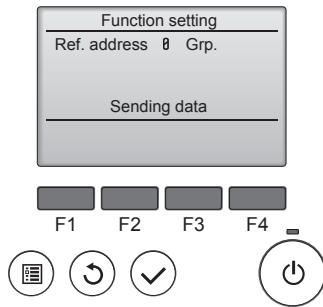


Fig. 6-9

### 6.3. Function settings

#### 6.3.1. Function setting on the unit (Selecting the unit functions)

##### 1) For wired remote controller

- ① (Fig. 6-5)
  - Select "Service" from the Main menu, and press the [SELECT] button.
  - Select "Function settings" with the [F1] or [F2] button, and press the [SELECT] button.
- ② (Fig. 6-6)
  - Set the indoor unit refrigerant addresses and unit numbers with the [F1] through [F4] buttons, and then press the [SELECT] button to confirm the current setting.

##### <Checking the Indoor unit No.>

When the [SELECT] button is pressed, the target indoor unit will start fan operation. If the unit is common or when running all units, all indoor units for the selected refrigerant address will start fan operation.

- ③ (Fig. 6-7)
  - When data collection from the indoor units is completed, the current settings appears highlighted. Non-highlighted items indicate that no function settings are made. Screen appearance varies depending on the "Unit No." setting.
- ④ (Fig. 6-8)
  - Use the [F1] or [F2] button to move the cursor to select the mode number, and change the setting number with the [F3] or [F4] button.
- ⑤ (Fig. 6-9)
  - When the settings are completed, press the [SELECT] button to send the setting data from the remote controller to the indoor units.
  - When the transmission is successfully completed, the screen will return to the Function setting screen.

## 6. Electrical work

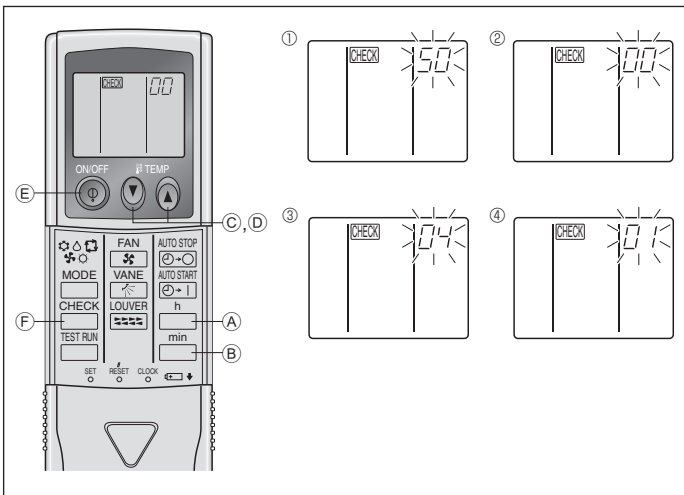


Fig. 6-10

### 2) For wireless remote controller (Fig. 6-10)

#### Changing the power voltage setting

- Be sure to change the power voltage setting depending on the voltage used.

① Go to the function select mode

Press the button (E) twice continuously.

(Start this operation from the status of remote controller display turned off.)

(CHECK) is lighted and "00" blinks.

Press the temp button (C) once to set "50". Direct the wireless remote controller toward the receiver of the indoor unit and press the button (A).

② Setting the unit number

Press the temp button (C) and button (D) to set the unit number "00". Direct the wireless remote controller toward the receiver of the indoor unit and press the button (B).

③ Selecting a mode

Enter 04 to change the power voltage setting using the button (C) and button (D).

Direct the wireless remote controller toward the receiver of the indoor unit and press the button (A).

Current setting number:

1 = 1 beep (one second)

2 = 2 beeps (one second each)

3 = 3 beeps (one second each)

④ Selecting the setting number

Use the button (C) and button (D) to change the power voltage setting to 01 (240 V).

Direct the wireless remote controller toward the sensor of the indoor unit and press the button (A).

⑤ To select multiple functions continuously

Repeat steps ③ and ④ to change multiple function settings continuously.

⑥ Complete function selection

Direct the wireless remote controller toward the sensor of the indoor unit and press the button (E).

#### Note:

Whenever changes are made to the function settings after installation or maintenance, be sure to record the changes with a mark in the "Setting" column of the Function table.

### 6.3.2 Function setting on the remote controller

Refer to the indoor unit operation manual.

#### Function table

Select unit number 00

Mode	Settings	Mode no.	Setting no.	Initial setting	setting
Power failure automatic recovery	Not available	01	1	*2	
	Available		2	*2	
Indoor temperature detecting	Indoor unit operating average	02	1	○	
	Set by indoor unit's remote controller		2		
	Remote controller's internal sensor		3		
LOSSNAY connectivity	Not Supported	03	1	○	
	Supported (indoor unit is not equipped with outdoor-air inlet)		2		
	Supported (indoor unit is equipped with outdoor-air inlet)		3		
Power voltage	240 V	04	1		
	220 V, 230 V		2	○	

Select unit numbers 01 to 03 or all units (AL [wired remote controller]/07 [wireless remote controller])

Mode	Settings	Mode no.	Setting no.	Initial setting	setting
Filter sign	100Hr	07	1	○	
	2500Hr		2		
	No filter sign indicator		3		
Fan speed	Silent	08	1	-	
	Standard		2	○	
	High ceiling		3	-	

\*1 When the power supply returns, the air conditioner will start 3 minutes later.

\*2 Power failure automatic recovery initial setting depends on the connecting outdoor unit.

## 7. Test run

### 7.1. Before test run

- ▶ After completing installation and the wiring and piping of the indoor and outdoor units, check for refrigerant leakage, looseness in the power supply or control wiring, wrong polarity, and no disconnection of one phase in the supply.
- ▶ Use a 500-volt megohmmeter to check that the resistance between the power supply terminals and ground is at least 1.0 MΩ.

- ▶ Do not carry out this test on the control wiring (low voltage circuit) terminals.

⚠ **Warning:**

- Do not use the air conditioner if the insulation resistance is less than 1.0 MΩ.
- Insulation resistance**

### 7.2. Test run

#### 7.2.1. Using wired remote controller.

- Make sure to read operation manual before test run. (Especially items to secure safety)

##### Step 1 Turn on the power.

- Remote controller: The system will go into startup mode, and the remote controller power lamp (green) and "PLEASE WAIT" will blink. While the lamp and message are blinking, the remote controller cannot be operated. Wait until "PLEASE WAIT" is not displayed before operating the remote controller. After the power is turned on, "PLEASE WAIT" will be displayed for approximately 2 minutes.
- Indoor controller board: LED 1 will be lit up, LED 2 will be lit up (if the address is 0) or off (if the address is not 0), and LED 3 will blink.
- Outdoor controller board: LED 1 (green) and LED 2 (red) will be lit up. (After the startup mode of the system finishes, LED 2 will be turned off.) If the outdoor controller board uses a digital display, [-] and [-] will be displayed alternately every second. If the operations do not function correctly after the procedures in step 2 and thereafter are performed, the following causes should be considered and eliminated if they are found. (The symptoms below occur during the test run mode. "Startup" in the table means the LED display written above.)

Symptoms in test run mode		Cause
Remote Controller Display	OUTDOOR BOARD LED Display < > indicates digital display.	
Remote controller displays "PLEASE WAIT", and cannot be operated.	After "startup" is displayed, only green lights up. <00>	• After power is turned on, "PLEASE WAIT" is displayed for 2 minutes during system startup. (Normal)
After power is turned on, "PLEASE WAIT" is displayed for 3 minutes, then error code is displayed.	After "startup" is displayed, green(once) and red(once) blink alternately. <F1>	• Incorrect connection of outdoor terminal block (R, S, T and S <sub>1</sub> , S <sub>2</sub> , S <sub>3</sub> .)
	After "startup" is displayed, green(once) and red(twice) blink alternately. <F3, F5, F9>	• Outdoor unit's protection device connector is open.
No display appears even when remote controller operation switch is turned on. (Operation lamp does not light up.)	After "startup" is displayed, green(twice) and red(once) blink alternately. <EA, Eb>	• Incorrect wiring between the indoor and outdoor unit (Polarity is wrong for S <sub>1</sub> , S <sub>2</sub> , S <sub>3</sub> .) • Remote controller transmission wire short.
	After "startup" is displayed, only green lights up. <00>	• There is no outdoor unit of address 0. (Address is other than 0.) • Remote controller transmission wire open.
Display appears but soon disappears even when remote controller is operated.	After "startup" is displayed, only green lights up. <00>	• After canceling function selection, operation is not possible for about 30 seconds. (Normal)

##### Step 2 Switch the remote controller to "Test run".

- ① Select "Test run" from the Service menu, and press the [SELECT] button. (Fig. 7-1)
- ② Select "Test run" from the Test run menu, and press the [SELECT] button. (Fig. 7-2)
- ③ The test run operation starts, and the Test run operation screen is displayed.

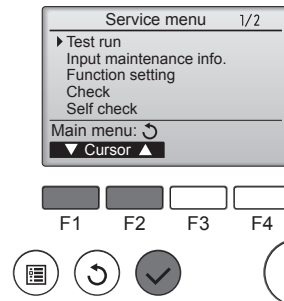


Fig. 7-1

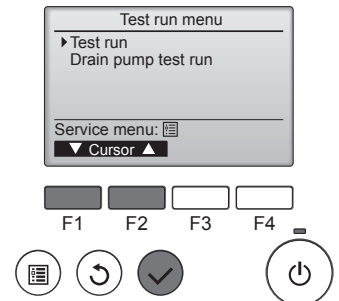


Fig. 7-2

##### Step 3 Perform the test run and check the airflow temperature and auto vane.

- ① Press the [F1] button to change the operation mode. (Fig. 7-3)  
Cooling mode: Check that cool air blows from the unit.  
Heating mode: Check that warm air blows from the unit.
- ② Press the [SELECT] button to display the Vane operation screen, and then press the [F1] and [F2] buttons to check the auto vane. (Fig. 7-4)  
Press the [RETURN] button to return to the Test run operation screen.

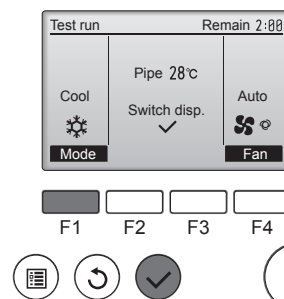


Fig. 7-3

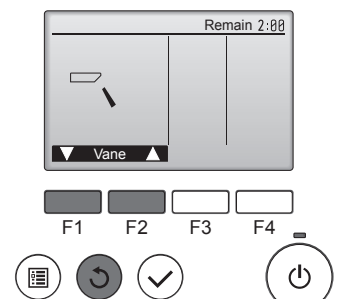


Fig. 7-4

##### Step 4 Confirm the operation of the outdoor unit fan.

The speed of the outdoor unit fan is controlled in order to control the performance of the unit. Depending on the ambient air, the fan will rotate at a slow speed and will keep rotating at that speed unless the performance is insufficient. Therefore, the outdoor wind may cause the fan to stop rotating or to rotate in the opposite direction, but this is not a problem.

## 7. Test run

### Step 5 Stop the test run.

① Press the [ON/OFF] button to stop the test run. (The Test run menu will appear.)

Note: If an error is displayed on the remote controller, see the table below.

LCD	Description of malfunction	LCD	Description of malfunction	LCD	Description of malfunction
P1	Intake sensor error	P9	Pipe sensor error (dual-wall pipe)	E0 ~ E5	Communication error between the remote controller and the indoor unit
P2	Pipe sensor error (liquid pipe)	PA	Leakage error (refrigerant system)		
P4	Drain float switch connector disconnected (CN4F)	PL	Refrigerant circuit abnormal		
P5	Drain overflow protection operation	FB	Indoor controller board error	E6 ~ EF	Communication error between the indoor unit and the outdoor unit
P6	Freezing/overheating protection operation	U*, F*	Outdoor unit malfunction Refer to the wiring diagram for the outdoor unit.		
P8	Pipe temperature error				

See the table below for the details of the LED display (LED 1, 2, and 3) on the indoor controller board.

LED1 (microcomputer power supply)	Indicates whether control power is supplied. Make sure that this LED is always lit.
LED2 (remote controller power supply)	Indicates whether power is supplied to the wired remote controller. The LED is lit only for the indoor unit that is connected to the outdoor unit that has an address of 0.
LED3 (indoor/outdoor unit communication)	Indicates whether the indoor and outdoor units are communicating. Make sure that this LED is always blinking.

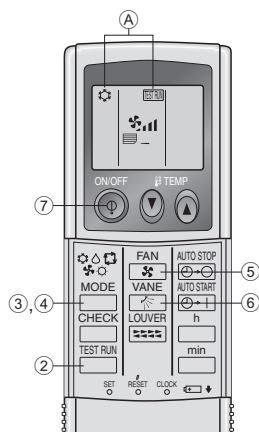


Fig. 7-5

### 7.2.2. Using wireless remote controller (Fig. 7-5)

① Turn on the power to the unit at least 12 hours before the test run.

② Press the **TEST RUN** button twice continuously.  
(Start this operation from the status of remote controller display turned off.)

Ⓐ **TEST RUN** and current operation mode are displayed.

③ Press the **MODE** button to activate **COOL** mode, then check whether cool air is blown out from the unit.

④ Press the **MODE** button to activate **HEAT** mode, then check whether warm air is blown out from the unit.

⑤ Press the **FAN** button and check whether fan speed changes.

⑥ Press the **VANE** button and check whether the auto vane operates properly.

⑦ Press the **ON/OFF** button to stop the test run.

#### Note:

- Point the remote controller towards the indoor unit receiver while following steps ② to ⑦.
- It is not possible to run the in **FAN**, **DRY** or **AUTO** mode.

### 7.2.3. Using SW4 in outdoor unit

Refer to the outdoor unit installation manual.

## 7.3. Self-check

### 7.3.1. Wired remote controller

- Refer to the installation manual that comes with each remote controller for details.

### 7.3.2. Wireless remote controller (Fig. 7-6)

① Turn on the power.

② Press the **CHECK** button twice.  
(Start this operation from the status of remote controller display turned off.)

Ⓐ **CHECK** begins to light.

Ⓑ "00" begins to blink.

③ While pointing the remote controller toward the unit's receiver, press the **h** button. The check code will be indicated by the number of times that the buzzer sounds from the receiver section and the number of blinks of the operation lamp.

④ Press the **ON/OFF** button to stop the self-check.

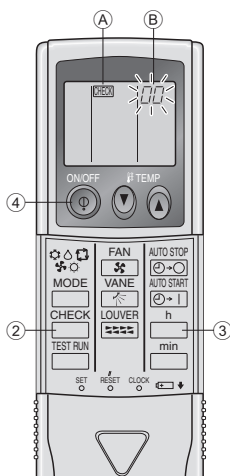
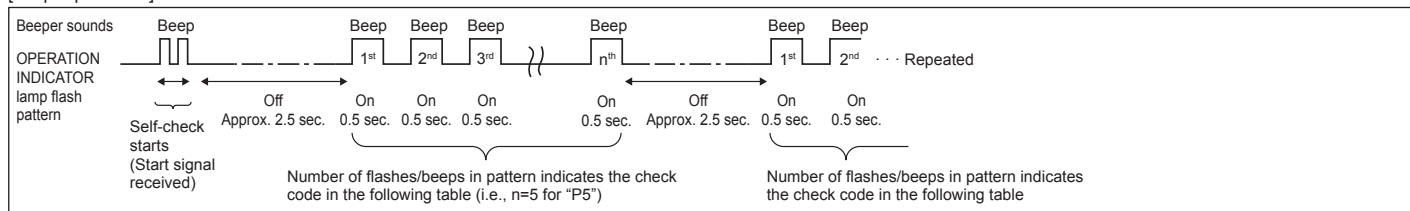


Fig. 7-6

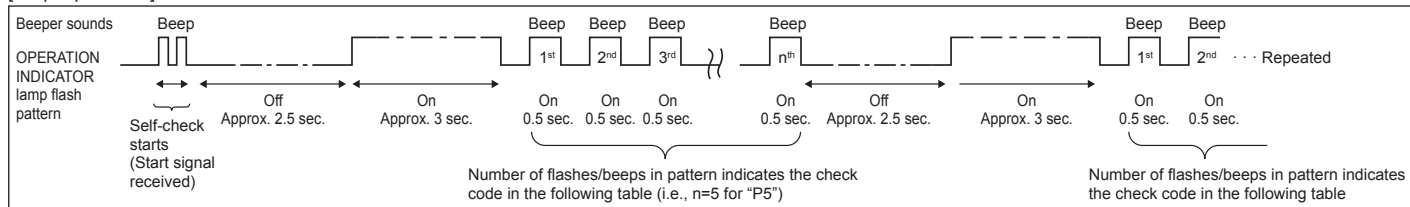
## 7. Test run

- Refer to the following tables for details on the check codes. (Wireless remote controller)

[Output pattern A]



[Output pattern B]



[Output pattern A] Errors detected by indoor unit

Wireless remote controller	Wired remote controller	Symptom	Remark
Beeper sounds/OPERATION INDICATOR lamp flashes (Number of times)	Check code		
1	P1	Inlet sensor error	
2	P2	Pipe (TH2) sensor error	
	P9	Pipe (TH5) sensor error	
3	E6, E7	Indoor/outdoor unit communication error	
4	P4	Drain sensor error/Float switch connector open	
5	P5	Drain pump error	
	PA	Forced compressor	
6	P6	Freezing/Overheating safeguard operation	
7	EE	Communication error between indoor and outdoor units	
8	P8	Pipe temperature error	
9	E4	Remote controller signal receiving error	
10	-	-	
11	-	-	
12	Fb	Indoor unit control system error (memory error, etc.)	
14	PL	Refrigerant circuit abnormal	
No sound	E0, E3	Wired remote controller transmission error	
No sound	E1, E2	Wired remote controller control board error	
No sound	----	No corresponding	

[Output pattern B] Errors detected by unit other than indoor unit (outdoor unit, etc.)

Wireless remote controller	Wired remote controller	Symptom	Remark
Beeper sounds/OPERATION INDICATOR lamp flashes (Number of times)	Check code		
1	E9	Indoor/outdoor unit communication error (Transmitting error) (Outdoor unit)	For details, check the LED display of the outdoor controller board.
2	UP	Compressor overcurrent interruption	
3	U3, U4	Open/short of outdoor unit thermistors	
4	UF	Compressor overcurrent interruption (When compressor locked)	
5	U2	Abnormal high discharging temperature/49C worked/insufficient refrigerant	
6	U1, Ud	Abnormal high pressure (63H worked)/Overheating safeguard operation	
7	U5	Abnormal temperature of heat sink	
8	U8	Outdoor unit fan safeguard stop	
9	U6	Compressor overcurrent interruption/Abnormal of power module	
10	U7	Abnormality of super heat due to low discharge temperature	
11	U9, UH	Abnormality such as overvoltage or voltage shortage and abnormal synchronous signal to main circuit/Current sensor error	
12	-	-	
13	-	-	
14	Others	Other errors (Refer to the technical manual for the outdoor unit.)	

\*1 If the beeper does not sound again after the initial two beeps to confirm the self-check start signal was received and the OPERATION INDICATOR lamp does not come on, there are no error records.

\*2 If the beeper sounds three times continuously "beep, beep, beep (0.4 + 0.4 + 0.4 sec.)" after the initial two beeps to confirm the self-check start signal was received, the specified refrigerant address is incorrect.



## 7. Test run

- On wireless remote controller  
The continuous buzzer sounds from receiving section of indoor unit.  
Blink of operation lamp
- On wired remote controller  
Check code displayed in the LCD.
- If the unit cannot be operated properly after the above test run has been performed, refer to the following table to remove the cause.

Symptom		Cause
Wired remote controller	LED 1, 2 (PCB in outdoor unit)	
PLEASE WAIT	For about 2 minutes following power-on	After LED 1, 2 are lighted, LED 2 is turned off, then only LED 1 is lighted. (Correct operation)
PLEASE WAIT → Error code	After about 2 minutes has expired following power-on	Only LED 1 is lighted. → LED 1, 2 blink.
Display messages do not appear even when operation switch is turned ON (operation lamp does not light up).		Only LED 1 is lighted. → LED 1 blinks twice, LED 2 blinks once.

On the wireless remote controller with condition above, following phenomena takes place.

- No signals from the remote controller are accepted.
- OPE lamp is blinking.
- The buzzer makes a short piping sound.

### Note:

**Operation is not possible for about 30 seconds after cancellation of function selection. (Correct operation)**

For description of each LED (LED 1, 2, 3) provided on the indoor controller, refer to the following table.

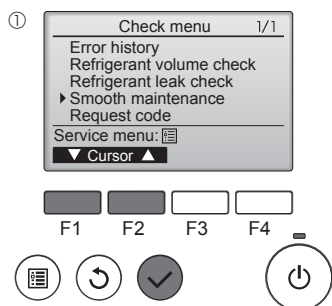
LED 1 (power for microcomputer)	Indicates whether control power is supplied. Make sure that this LED is always lit.
LED 2 (power for remote controller)	Indicates whether power is supplied to the remote controller. This LED lights only in the case of the indoor unit which is connected to the outdoor unit refrigerant address "0".
LED 3 (communication between indoor and outdoor units)	Indicates state of communication between the indoor and outdoor units. Make sure that this LED is always blinking.

## 8. Easy maintenance function

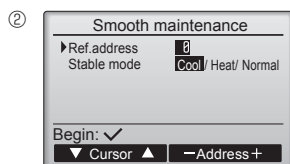
Maintenance data, such as the indoor/outdoor unit's heat exchanger temperature and compressor operation current can be displayed with "Smooth maintenance".

\* This cannot be executed during test operation.

\* Depending on the combination with the outdoor unit, this may not be supported by some models.

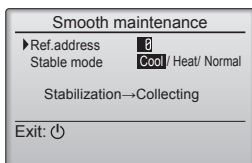


- Select "Service" from the Main menu, and press the [SELECT] button.
- Select "Check" with the [F1] or [F2] button, and press the [SELECT] button.
- Select "Smooth maintenance" with the [F1] or [F2] button, and press the [SELECT] button.

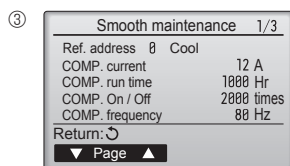


Select each item.

- Select the item to be changed with the [F1] or [F2] button.
- Select the required setting with the [F3] or [F4] button.  
"Ref. address" setting ..... "0" - "15"  
"Stable mode" setting..... "Cool" / "Heat" / "Normal"

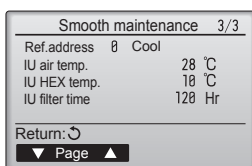
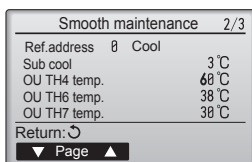


- Press the [SELECT] button, fixed operation will start.
- \* Stable mode will take approx. 20 minutes.



The operation data will appear.

The Compressor-Accumulated operating (COMP. run) time is 10-hour unit, and the Compressor-Number of operation times (COMP. On/Off) is a 100-time unit (fractions discarded)



### Navigating through the screens

- To go back to the Main menu.....[MENU] button
- To return to the previous screen ..... [RETURN] button

# Содержание

1. Меры предосторожности.....	189	5. Дренажные трубы.....	194
2. Место установки .....	190	6. Электрические работы .....	195
3. Установка внутреннего прибора.....	190	7. Выполнение испытания.....	201
4. Прокладка труб хладагента .....	193	8. Функция простого техобслуживания .....	205

## Примечание:

Фраза “Проводной пульт дистанционного управления” в данном руководстве по установке относится к PAR-31MAA.

Сведения о других пультах дистанционного управления приводятся в руководстве по установке или руководстве по начальным настройкам, находящемся в этих коробках.

## 1. Меры предосторожности

- ▶ До установки прибора убедитесь, что Вы прочли все “Меры предосторожности”
- ▶ Пожалуйста, перед подключением данного оборудования к системе электропитания, сообщите об этом своему поставщику электропитания или получите его разрешение.

### ⚠ Предупреждение:

Описывает меры предосторожности, необходимые для предотвращения получения травмы или гибели пользователя.

### ⚠ Осторожно:

Описывает меры предосторожности, необходимые для предотвращения повреждения прибора.

### ⚠ Предупреждение:

- Для выполнения установки прибора обратитесь к дилеру или сертифицированному техническому специалисту.
- При установочных работах следуйте инструкциям в Руководстве по установке и используйте инструменты и детали трубопроводов, специально предназначенные для использования с хладагентом, указанным в руководстве по установке наружного прибора.
- Прибор должен быть установлен согласно инструкциям, чтобы свести к минимуму риск повреждения от землетрясений, тайфунов или сильных порывов ветра. Неправильно установленный прибор может упасть и причинить повреждение или нанести травму.
- Прибор должен быть установлен на конструкции, способной выдержать его вес.
- Если кондиционер установлен в небольшом помещении, необходимо принять меры для предотвращения концентрации хладагента свыше безопасных пределов в случае утечки хладагента. В случае утечки хладагента и превышении допустимой его концентрации из-за нехватки кислорода в помещении может произойти несчастный случай.
- Если во время работы прибора произошла утечка хладагента, проветрите помещение. При контакте хладагента с пламенем образуются ядовитые газы.
- Все электроработы должны выполняться квалифицированными техническим специалистом в соответствии с местными правилами и инструкциями, приведенными в данном Руководстве.
- Используйте для проводки указанные кабели. Убедитесь, что кабели надежно соединены, а оконечные соединения не натянuty. Никогда не соединяйте кабели внахлест (если иное не указано в прилагаемой документации). Несоблюдение этих инструкций может привести к перегреву или возгоранию.

После окончания установочных работ проинструктируйте пользователя относительно правил эксплуатации и обслуживания аппарата, а также ознакомьте с разделом “Меры предосторожности” в соответствии с информацией, приведенной в Руководстве по использованию аппарата, и выполните тестовый прогон аппарата для того, чтобы убедиться, что он работает нормально. Обязательно передайте пользователю на хранение экземпляры Руководства по установке и Руководства по эксплуатации. Эти Руководства должны быть переданы и последующим пользователям данного прибора.

⚡ : Указывает, что данная часть должна быть заземлена.

### ⚠ Предупреждение:

Внимательно прочтите текст на этикетках главного прибора.

- Установку необходимо выполнять в соответствии с действующими правилами электробезопасности.
- Крышка клеммной коробки должна быть надежно присоединена к прибору.
- Поврежденный кабель из комплекта поставки должен быть заменен в целях безопасности производителем, сервисным агентом или лицами, обладающими необходимой квалификацией.
- Используйте только те дополнительные принадлежности, на которые имеется разрешение от Mitsubishi Electric; для их установки обратитесь к дилеру или уполномоченному техническому специалисту.
- Пользователю не следует пытаться ремонтировать прибор или перемещать его на другое место.
- По окончании установки убедитесь в отсутствии утечки хладагента. Если хладагент проникнет в помещение и произойдет контакт его с пламенем обогревателя или переносного пищевого нагревателя, образуются ядовитые газы.
- При монтаже или перемещении, а также при обслуживании кондиционера используйте только указанный хладагент (R410A) для заполнения трубопроводов хладагента. Не смешивайте его ни с каким другим хладагентом и не допускайте наличия воздуха в трубопроводах. Наличие воздуха в трубопроводах может вызывать скачки давления, в результате которых может произойти взрыв или другие повреждения. Использование любого хладагента, отличного от указанного для этой системы, вызовет механическое повреждение, сбой в работе системы, или выход устройства из строя. В наихудшем случае, это может послужить серьезной преградой к обеспечению безопасной работы этого изделия.

### 1.1. Перед установкой (Окружающая среда)

#### ⚠ Осторожно:

- Не используйте прибор в нестандартной окружающей среде. Установка кондиционера в местах, подверженных воздействию пара, летучих масел (включая машинное масло) или сернистых испарений, местами с повышенной концентрацией соли (таких, как берег моря), может привести к значительному снижению эффективности работы прибора или повреждению его внутренних частей.
- Не устанавливайте прибор в местах, где возможна утечка, возникновение, приток или накопление горючих газов. Если горючий газ будет накапливаться вокруг прибора, это может привести к возникновению пожара или взрыву.
- Не держите пищевые продукты, растения, домашних животных в клетках, произведения искусства и точные инструменты в прямом потоке воздуха от внутреннего прибора или слишком близко к нему, поскольку эти предметы могут быть повреждены перепадами

- температуры или капающей водой.
- При уровне влажности в помещении выше 80% или закупорке дренажной трубы из внутреннего прибора может капать вода. Не устанавливайте внутренний прибор в местах, где такие капли могут вызвать какое-либо повреждение.
- При монтаже прибора в больнице или центре связи примите во внимание шумовое и электромагнитное воздействие. Работа таких устройств, как инверторы, бытовые приборы, высокочастотное медицинское оборудование и оборудование радиосвязи может вызвать сбой в работе кондиционера или его поломку. Кондиционер также может повлиять на работу медицинского оборудования и медицинского обслуживание, работу коммуникационного оборудования, вызывая искажение изображения на дисплее.

### 1.2. Перед установкой или перемещением

#### ⚠ Осторожно:

- Будьте чрезвычайно осторожны при транспортировке приборов. Прибор должны переносить два или более человека, поскольку он весит не менее 20 кг. Не поднимайте прибор за упаковочные ленты. Используйте защитные перчатки, поскольку можно повредить руки ребристыми деталями или другими частями прибора.
- Утилизируйте упаковочные материалы надлежащим образом. Упаковочные материалы, такие, как гвозди и другие металлические или деревянные части, могут поранить или причинить другие травмы.
- Для предотвращения конденсации необходимо обеспечить теплоизоляцию трубы хладагента. Если труба хладагента не изолирована

- должным образом, при работе прибора будет образовываться конденсат.
- Оберните трубы теплоизоляционным материалом для предотвращения конденсации. Если дренажная труба установлена неправильно, это может вызвать протечку воды и испортить потолок, пол, мебель или другое имущество.
- Не мойте кондиционер водой. Это может привести к поражению электрическим током.
- Затягивайте все хомуты на муфтах в соответствии со спецификациями, используя ключ с регулируемым усилием. Слишком сильно затянутый хомут муфты по прошествии некоторого времени может сломаться.

### 1.3. Перед электрическими работами

#### ⚠ Осторожно:

- Обязательно установите автоматические выключатели. В противном случае возможно поражение электрическим током.
- Используйте для электропроводки стандартные кабели, рассчитанные на соответствующую мощность. В противном случае может произойти короткое замыкание, перегрев или пожар.
- При монтаже кабелей питания не прикладывайте растягивающих усилий.

- Обязательно заземлите прибор. Отсутствие надлежащего заземления может привести к поражению электрическим током.
- Используйте автоматические выключатели (прерыватель утечки тока на землю, разъединитель (плакий предохранитель +В) и предохранитель корпуса) с указанным предельным током. Если предельный ток автоматического выключателя больше, чем необходимо, может произойти поломка или пожар.

### 1.4. Перед тестовым прогоном

#### ⚠ Осторожно:

- Включайте главный выключатель питания не позднее, чем за 12 часов до начала эксплуатации. Запуск прибора сразу после включения выключателя питания может серьезно повредить внутренние части.
- Перед началом эксплуатации проверьте, что все пульта, щитки и другие защитные части правильно установлены. Вращающиеся, нагретые или находящиеся под напряжением части могут нанести травмы.
- Не включайте кондиционер без установленного воздушного фильтра. Если воздушный фильтр не установлен, в приборе может накопиться

- пыль, что может привести к его поломке.
- Не прикасайтесь ни к каким выключателям влажными руками. Это может привести к поражению электрическим током.
- Не прикасайтесь к трубам с хладагентом голыми руками во время работы прибора.
- После остановки прибора обязательно подождите по крайней мере пять минут перед выключением главного выключателя питания. В противном случае возможна протечка воды или поломка прибора.

## 2. Место установки

### ■ PKA-RP-HAL

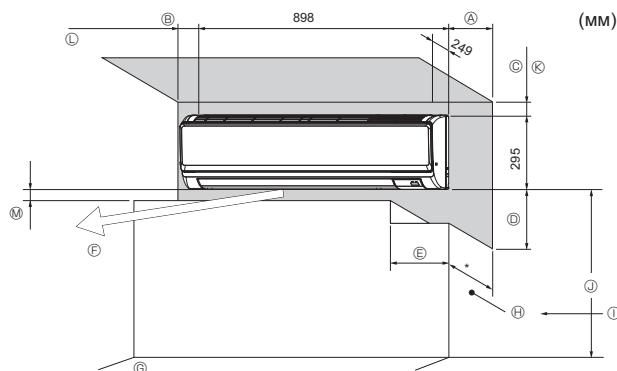


Рис. 2-1

### 2.1. Контурные габариты (Внутренний прибор) (Рис. 2-1)

Выберите надлежащее место, с учетом наличия следующего свободного пространства для установки и проведения техобслуживания.

### ■ PKA-RP-HAL

(мм)

A	B	C	D	E
Мин. 100,5	Мин. 22,4	Мин. 48	Мин. 250	Мин. 220

- F Вентиляционное отверстие: На расстоянии 1500 мм от вентиляционного отверстия не должно быть никаких препятствий.
- G Поверхность пола
- H Обустройство
- I Если крепления занавесок или подобные предметы выступают более чем на 60 мм от стены, необходимо сделать больший запас по расстоянию во избежание образования короткого цикла работы вентилятора.
- J 1800 мм или более от поверхности пола (при высокой установке)
- K 108 мм или более при установке левого или заднего левого трубопровода и дополнительного насоса для отвода конденсата
- L 550 мм и более при установке опционального дренажного механизма
- M Минимум 7 мм: 265 мм и более при установке опционального дренажного насоса

## 3. Установка внутреннего прибора

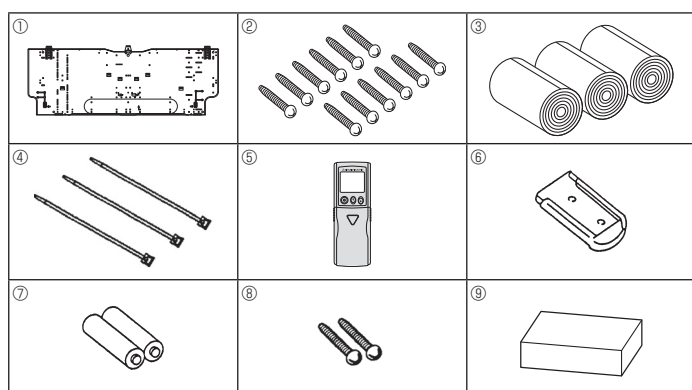


Рис. 3-1

### 3.1. Проверьте наличие дополнительных принадлежностей к внутреннему прибору (Рис. 3-1)

Внутренний прибор должен поставляться в комплекте со следующими дополнительными принадлежностями:

КАТАЛОЖНЫЙ НОМЕР ЗАПЧАСТИ	АКСЕССУАР	КОЛИЧЕСТВО	МЕСТО УСТАНОВКИ
		35, 50	
①	Монтажная плита	1	Установить на заднюю часть блока
②	Винт-саморез 4 × 35	12	
③	Изолента	3	
④	Стяжной хомут	3	
⑤	Беспроводной пульт дистанционного пульт управления	1	
⑥	Держатель ПДУ	1	
⑦	Алкалайновые элементы питания (тип ААА)	2	
⑧	Винт-саморез 3,5 × 16	2	
⑨	Амортизирующий блок	1	

### ■ PKA-RP-HAL

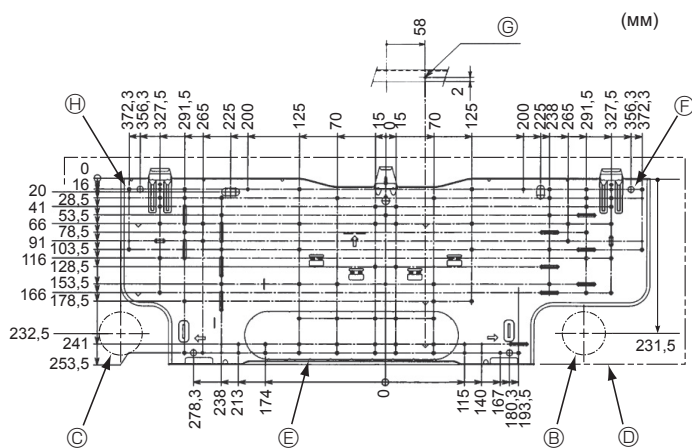


Рис. 3-2

### 3.2. Установка настенного крепления (Рис. 3-2)

#### 3.2.1. Установка настенного крепления и позиции труб

► Используя настенное крепление, определите положение установки прибора и будущее расположение просверленных отверстий для труб.

**⚠ Предупреждение:**  
Перед сверлением отверстия в стене необходимо получить консультацию у подрядчика-строителя.

### ■ PKA-RP-HAL

- A Монтажная плита ①
- B Внутренний блок
- C Отверстие нижней левой задней трубки (ø65)
- D Отверстие нижней правой задней трубки (ø65)
- E Отверстие заглушки для левого заднего отверстия (70 × 310)
- F Отверстие для болта (отверстие 4-ø9)
- G Центральное измерительное отверстие (отверстие ø2,5)
- H Отверстие для болта-самореза (отверстие 77-ø5,1)
- I Центр отверстия
- J Совместить линейку с линией.
- K Вставить линейку.

#### 3.2.2. Сверление отверстия для труб (Рис. 3-3)

- Используя трубчатое сверло, просверлите отверстие диаметром 75-80 мм в стене в направлении труб, в месте, указанном на схеме слева.
- Отверстие должно быть наклонным так, чтобы наружное отверстие было ниже, чем внутреннее отверстие.
- Проведите рукав (диаметром 75 мм, приобретается на месте) через отверстие.

- A Рукав
- B Отверстие
- C (Внутри)
- D Стена
- E (Снаружи)

**Примечание:**  
Наклонность отверстия необходима для создания дренажного потока.

## 3. Установка внутреннего прибора

### ■ PKA-RP-HAL

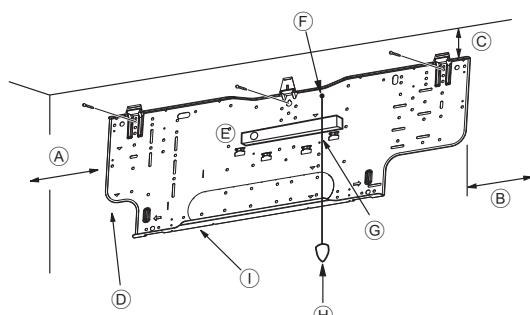


Рис. 3-4

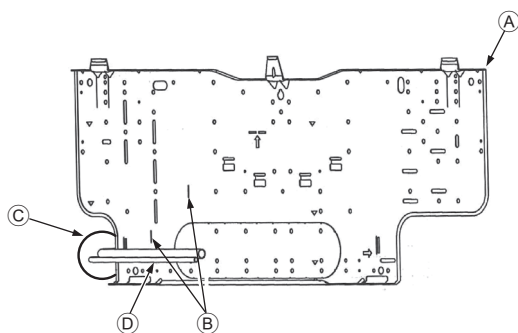


Рис. 3-5

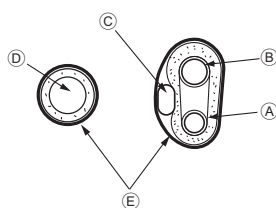


Рис. 3-6

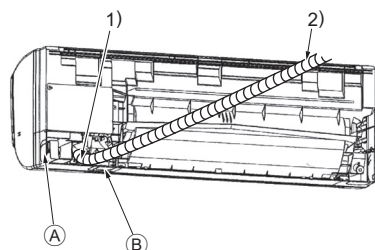


Рис. 3-7

### 3.2.3. Установка настенного кронштейна

- Поскольку внутренний прибор весит около 13 кг, необходимо тщательно продумать место для его установки. Если стена недостаточно прочная, перед установкой прибора ее следует укрепить досками или балками.
- Настенный кронштейн должен быть закреплен с обоих концов и в центре, если возможно. Никогда не укрепляйте его только в одном месте или каким-либо несимметричным образом. (Если возможно, укрепите установочную арматуру во всех точках, которые обозначены жирной стрелкой.)

#### ⚠ Предупреждение:

Если возможно, закрепите установку в точках, обозначенных жирными стрелками

#### ⚠ Осторожно:

- Корпус прибора должен быть установлен ровно по горизонтали.
- Закрепите в отверстиях, обозначенных символом ▲, на которые указывают стрелки.

### ■ PKA-RP-HAL (Рис. 3-4)

- Ⓐ Мин. 90 мм (617,6 мм и более при установке опционального дренажного насоса)
- Ⓑ Мин. 200 мм
- Ⓒ Мин. 72 мм (142,5 мм и более при использовании левой, задней левой или нижней левой трубок или опционального дренажного насоса)
- Ⓓ Крепежные винты (4 × 35) ②
- Ⓔ Уровень
- Ⓕ Установите винтовое соединение в отверстие.
- Ⓖ Установите уровень по референтной линии на монтажной плите и проверьте горизонтальность. Свесьте грузик с резьбы и совместите его с ∇ ЕРК монтажной плиты для выставления уровня.
- Ⓗ Грузик
- Ⓚ Монтажная плита ①

### 3.3. Встраивание труб в стены (Рис. 3-5)

- Трубки расположены слева внизу.
  - Если предполагается заблаговременно встраивать трубку охлаждения, внешние/внутренние соединения дренажных трубок и выступающие трубки, может понадобиться их согнуть и обрезать под установку.
  - При обрезке встроенной трубки охлаждения используйте метки на монтажной плите.
  - Во время монтажных работ оставляйте запас трубок по длине.
- Ⓐ Монтажная плита ①
  - Ⓑ Метки для фланцевых соединений
  - Ⓒ Через отверстие
  - Ⓓ Трубки, монтируемые на месте

### 3.4. Подготовка внутреннего блока

- \* Проверьте заблаговременно, поскольку подготовительные работы будут отличаться в зависимости от направления прокладки трубок.
- \* Сгибайте трубки постепенно, удерживая их за основание у блока. (Резкое сгибание может привести к деформации трубки.)

### Извлечение и обработка трубопроводов и электропроводки (Рис. 3-6)

- Подсоединение внутренней/наружной проводки ⇒ См. стр. 195.
  - Обмотайте изолентой ③ область трубок хладагента и дренажную трубку, которые будут устанавливаться на внутреннем блоке.
    - Тщательно обмотайте изолентой ③ трубки хладагента и сливную трубку от их оснований.
    - Захлест изоленты ③ должен составлять половину ее ширины.
    - Закрепите конец изоленты скотчем.
- Ⓐ Труба жидкостного контура
  - Ⓑ Труба газового контура
  - Ⓒ Провод для соединения внутреннего и наружного блока
  - Ⓓ Дренажная трубка
  - Ⓔ Изолента ③
- Проследите, чтобы дренажная трубка не была поднята и не контактировала с корпусом внутреннего блока. Не тяните за дренажную трубку, чтобы не вырвать ее.

### Правые, левые и нижние трубопроводы (Рис. 3-7)

- Проследите, чтобы дренажная трубка не была поднята и не контактировала с корпусом внутреннего блока. Проведите дренажную трубку под трубопроводами и обмотайте ее изолентой ③.
- Надежно закрепите изоленту ③ от самого основания. (Перехлест изоленты должен составлять половину ее ширины.)
  - Ⓐ Вырез для правой трубки.
  - Ⓑ Вырез для нижних трубок.

### 3. Установка внутреннего прибора

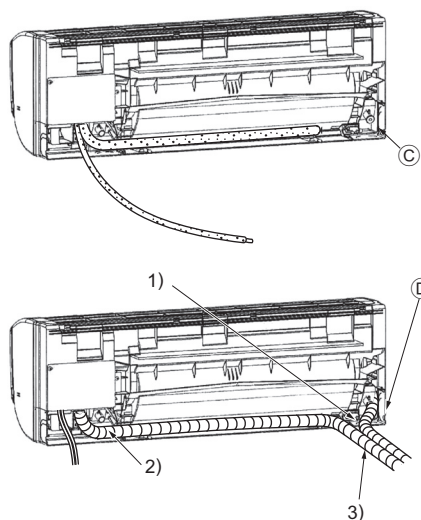


Рис. 3-8

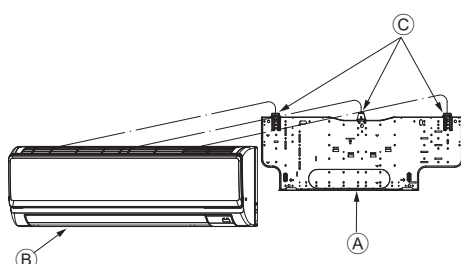


Рис. 3-9

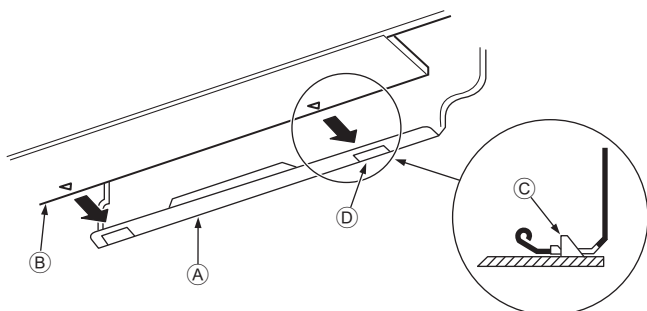


Рис. 3-10

#### ■ PKA-RP-HAL

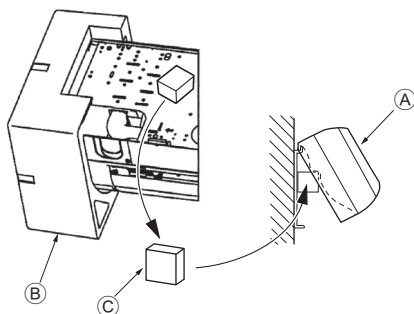


Рис. 3-11

#### Левая и левая нижняя трубки (Рис. 3-8)

4. Замена дренажной трубки → См. 5. Дренажные трубы  
Заменяйте дренажную трубку и ее заглушку для левой и правой трубок. В противном случае будет капать конденсат.

ⓐ Заглушка дренажной трубки

1) Проследите, чтобы дренажная трубка не была поднята и не контактировала с корпусом внутреннего блока.

2) Надежно закрепите изоляцию ⓑ от самого основания. (Перехлест изоляции должен составлять половину ее ширины.)

3) Закрепите конец изоляции ⓑ скотчем.

ⓐ Вырез для левой трубки.

#### 3.5. Установка внутреннего блока

1. Подсоедините монтажную плиту ① к стене.

2. Подвесьте внутренний блок на крюк, расположенный в верхней части монтажной плиты.

#### Правые, левые и нижние трубопроводы (Рис. 3-9)

3. Устанавливая трубки хладагента и дренажа в отверстие на стене (муфту), подвесьте верхнюю часть внутреннего блока к монтажной плите ①.

4. Сдвигая блок вправо-влево, убедитесь в его надежном креплении.

5. Закрепите блок, вдвинув его нижнюю часть в монтажную плиту ①. (Рис. 3-10)

\* Убедитесь, что нижние фиксаторы внутреннего блока надежно встали в монтажную плиту ①.

6. После этого проверьте горизонтальность установки внутреннего блока.

Ⓐ Монтажная плита ①

Ⓑ Внутренний блок

Ⓒ Крюк

Ⓓ квадратное отверстие

#### Левая и левая нижняя трубки (Рис. 3-11)

3. Устанавливая дренажную трубку в отверстие на стене (муфту), подвесьте верхнюю часть внутреннего блока к монтажной плите ①.

Учитывая необходимость укладки трубки, сместите блок влево, затем отрежьте кусок упаковочного картона и сверните его трубкой как показано на рисунке. Установите получившуюся трубку на ребро задней поверхности в качестве проставки, затем поднимите внутренний блок

4. Подсоедините трубку хладагента к установленному на месте холодильному контуру.

5. Закрепите блок, вдвинув его нижнюю часть в монтажную плиту ①.

\* Убедитесь, что нижние фиксаторы внутреннего блока надежно встали в монтажную плиту ①.

6. После этого проверьте горизонтальность установки внутреннего блока.

Ⓐ Внутренний блок

Ⓑ Элемент упаковки

Ⓒ Амортизирующий блок ③

## 4. Прокладка труб хладагента

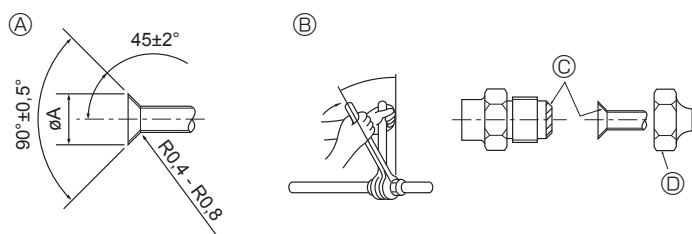


Рис. 4-1

А Размеры обрезки раструба

Медная трубка O.D. (мм)	Размеры раструба ØA размеры (мм)
Ø6,35	8,7 - 9,1
Ø12,7	16,2 - 16,6

### 4.1. Соединение труб (Рис. 4-1)

- При использовании медных труб, имеющихся в продаже, оберните трубы для жидкости и газа имеющимися в продаже изоляционными материалами (с теплозащитой от 100 °С или выше, толщиной не менее 12 мм).
- Внутренняя часть дренажной трубы должна быть обернута в пенополиэтиленовый изолирующий материал (удельный вес 0,03; толщина 9 мм или более).
- Нанесите тонкий слой масла хладагента на контактную поверхность труб и соединений перед тем, как затягивать гайку с фланцем.
- Для затягивания трубных соединений используйте два гаечных ключа.
- Используйте прилагаемое трубное изоляционное покрытие для изоляции соединений внутреннего блока. Тщательно крепите изоляцию.

- Момент затяжки гайки раструбного стыка
- Не наносите холодильное масло на места установки винтов. (Это будет способствовать самопроизвольному откручиванию раструбных муфт.)
- Используйте только раструбные муфты, прилагаемые к блоку. (Использование имеющихся в продаже изделий может вызвать растрескивание.)

Медная трубка O.D. (мм)	Раструбная муфта O.D. (мм)	Момент затяжки (Нм)
Ø6,35	17	14 - 18
Ø12,7	28	49 - 61

⚠ Предупреждение:

При установке прибора надежно подсоедините трубы подачи охлаждающей жидкости до запуска компрессора.

■ PKA-RP-HAL

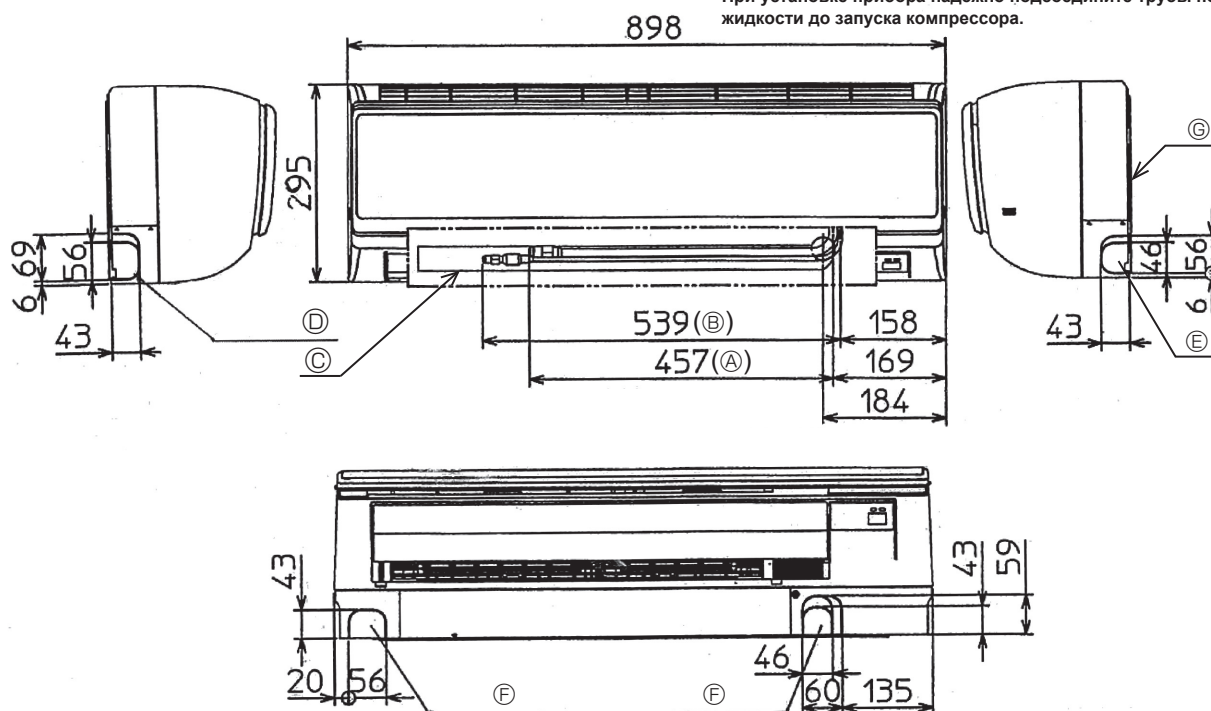


Рис. 4-2

### 4.2. Внутренний блок

Размеры трубок хладагента и дренажных трубок		
Наименование		PKA-RP35, RP50HAL
Трубка хладагента	Жидкостный контур	ODØ6,35
	Газовый контур	ODØ12,7
Дренажная трубка		ODØ16

### 4.3. Выбор расположения труб хладагента и дренажных трубок (Рис. 4-2)

■ PKA-RP-HAL

- Труба газового контура \* При установке с аксессуарами.
- Труба жидкостного контура
- Дренажная трубка (Эффективная длина: 400)
- Заглушка отверстия для левой трубки
- Заглушка отверстия для правой трубки
- Заглушка отверстия для нижней трубки
- Монтажная плата

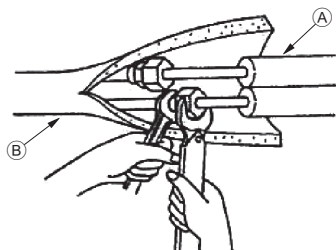


Рис. 4-3

### 4.4. Трубы хладагента (Рис. 4-3)

Внутренний прибор

1. Снимите гайку раструба и колпачок внутреннего прибора.
2. Сделайте раструб на трубе хладагента и на трубе для газа и нанесите немного охлаждающего машинного масла (продается местным поставщиком) на поверхность седла раструба.
3. Быстро подсоедините местные трубы к прибору.
4. Оберните оболочку трубы, которая прикреплена к трубе для газа, и убедитесь в том, что место соединения невидимо.
5. Оберните оболочку трубы для жидкости внутреннего прибора и убедитесь в том, что она покрывает изоляционный материал местной трубы для жидкости.
6. Место соединения изоляционного материала уплотняется лентой.
  - Трубка хладагента со стороны площадки
  - Трубка хладагента со стороны блока

## 4. Прокладка труб хладагента

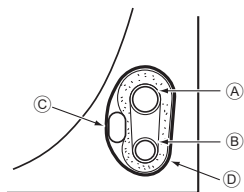


Рис. 4-4

### 4.4.1. Укладка в место для трубок блока (Рис. 4-4)

- Во избежание конденсации обмотайте прилагаемой изоляцией область трубки хладагента, которая будет устанавливаться на внутреннем блоке.
- Перехлест изоляции должен составлять половину ее ширины.
- Закрепите конец изоляции скотчем.
  - Ⓐ Труба газового контура
  - Ⓑ Труба жидкостного контура
  - Ⓒ Провод для соединения внутреннего и наружного блока
  - Ⓓ Изоляция

## 5. Дренажные трубы

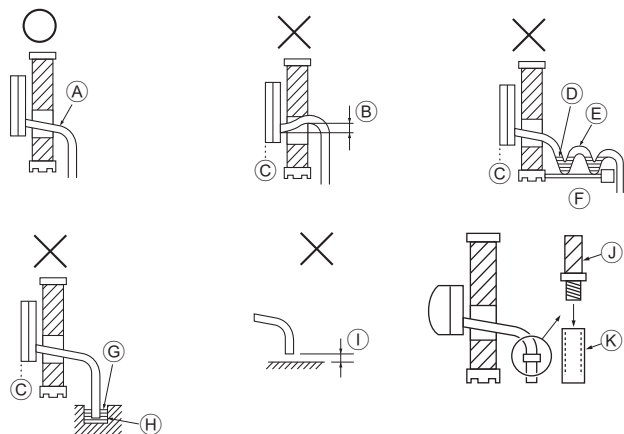


Рис. 5-1

### 5.1. Дренажные трубы (Рис. 5-1)

- Дренажные трубы должны иметь наклон 1/100 или более.
- Для удлинения дренажных труб используйте мягкий шланг (внутренний диаметр 15 мм), имеющийся в продаже, или трубу из твердого винилхлорида (VP-16/Трубы из ПВХ, O.D. ø22). Убедитесь, что в местах соединения нет утечек.
- Не помещайте дренажные трубы непосредственно в дренажную канаву, где возможно образование сернистого газа.
- После завершения прокладки труб, проверьте поток воды из и от дренажной трубы.

#### ⚠ Осторожно:

Дренажная труба должна быть установлена в соответствии с инструкциями в данном руководстве для обеспечения правильного дренажа. Термоизоляция дренажных труб необходима для предотвращения конденсации. Если дренажные трубы не установлены и не изолированы как требуется, может появиться конденсация на потолке и вода будет капать на пол и на ваше имущество.

- Ⓐ Наклон вниз
- Ⓑ Должен быть ниже выходного патрубка
- Ⓒ Протечка воды
- Ⓓ Скопившийся конденсат
- Ⓔ Воздух
- Ⓕ Неровный
- Ⓖ Торец дренажной трубки под водой.
- Ⓗ Дренажный лоток
- ① 5 см и менее между торцом дренажной трубки и землей.
- Ⓖ Дренажная трубка
- ⓧ Мягкий шланг из ПВХ (внутренний диаметр 15 мм) или  
Твердая трубка из ПВХ (VP-16)  
\* Скрепить клеящим средством на основе ПВХ

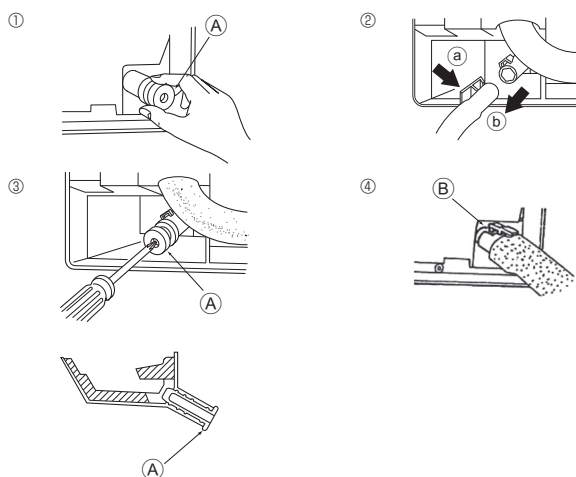


Рис. 5-2

### Подготовка труб слева и слева сзади (Рис. 5-2)

- Снимите дренажный колпачок.
- Снимайте дренажный колпачок, взявшись за деталь, выступающую из конца трубы, и при этом тяните на себя.
  - Ⓐ Дренажный колпачок
- Снимите дренажный шланг.
  - Снимайте дренажный шланг, взявшись за основание шланга ⓐ (показано стрелкой), и при этом тяните на себя ①.
- Вставьте дренажный колпачок.
  - Вставьте отвертку или т.п. приспособление в отверстие на конце трубы и обязательно давите на основание дренажного колпачка.
- Вставьте дренажный шланг.
  - Давите на дренажный шланг, пока он не дойдет до основания выпускного соединительного отверстия дренажной коробки.
- Убедитесь в том, что крючок дренажного шланга прочно прикреплен к выступающему выпускному соединительному отверстию дренажной коробки.
  - Ⓑ Крючки

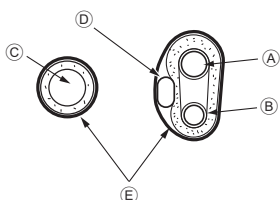


Рис. 5-3

### ◆ Укладка в место для трубок внутреннего блока (Рис. 5-3)

- Если дренажная трубка будет проложена внутри помещения, изолируйте ее имеющимися в продаже материалами.
- Сложите вместе трубку хладагента и дренажную трубку и обмотайте их прилагаемой изоляцией ③.
- Перехлест изоляции ③ должен составлять 1/2 ее ширины.
- Закрепите конец изоляции скотчем.

- Ⓐ Труба газового контура
- Ⓑ Труба жидкостного контура
- Ⓒ Дренажная трубка
- Ⓓ Провод для соединения внутреннего и наружного блока
- Ⓔ Изоляция

### ◆ Проверка дренажа (Рис. 5-4)

- Откройте переднюю решетку и снимите фильтр.
- Со стороны ребер охлаждения теплообменника медленно залейте воду.
- После проверки дренажа подсоедините фильтр и закройте решетку.

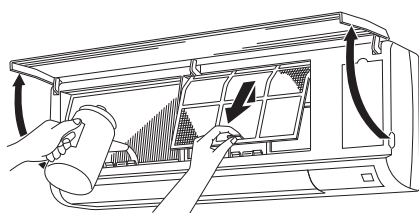


Рис. 5-4



## 6. Электрические работы

### ■ PKA-RP-HAL

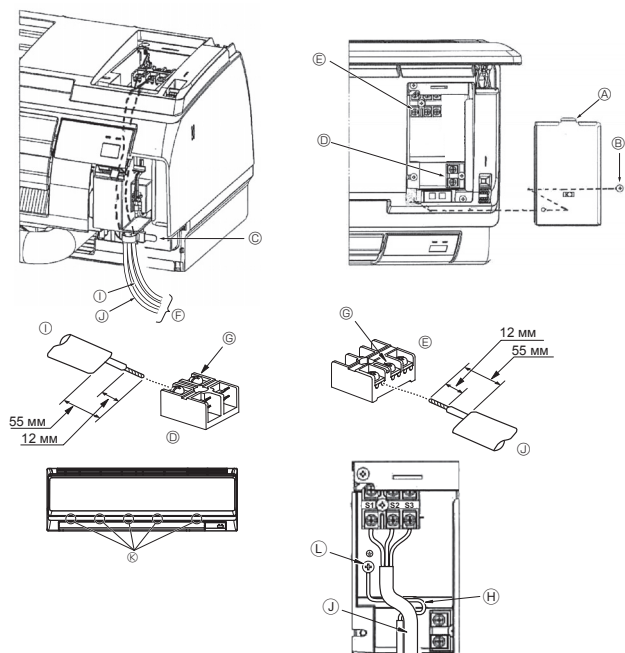


Рис. 6-1

### 6.1. Внутренний блок

#### ■ PKA-RP-HAL (Рис. 6-1)

Предусмотрена возможность подсоединения без снятия передней панели.

1. Откройте переднюю решетку, снимите винт (1 шт.), затем снимите крышку электрических компонентов.

\* Электрические работы удобнее вести при снятой панели. При установке панели убедитесь, что крюки (K) в пяти точках со стороны вентиляционного отверстия надежно закреплены.

2. Надежно подсоедините провода к клеммному щитку.

\* Учитывая необходимость в обслуживании, оставляйте запас проводов по длине.

\* Будьте осторожны при использовании многожильных проводов, поскольку свободные жилы могут привести к замыканию проводки.

3. Установите на место снятые части.

4. Закрепите каждый провод хомутом под блоком электрических компонентов.

- A Крышка блока электрических компонентов
- B Крепежный винт
- C Хомут
- D Клеммный щиток ПДУ: (опция) 1 и 2, не имеют полярности
- E Клеммный щиток для соединения внутреннего и наружного блока: S1, S2, и S3, имеют полярность
- F Направляющая
- G Клеммный винт
- H Провода заземления:  
Подсоедините провод заземления в направлении, указанном на схеме.
- I Провод пульта дистанционного управления
- J Провод для соединения внутреннего и наружного блока
- K Крюк
- L Часть для подсоединения провода заземления



#### Предупреждение:

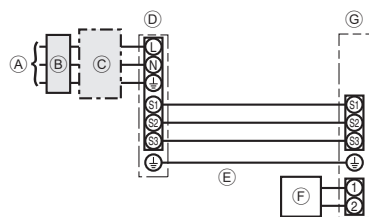
Никогда не подсоединяйте внахлест силовой кабель или соединительный кабель внешнего питания. Это может привести к задымлению, возгоранию или неисправности.

#### 6.1.1. Питание на внутренний прибор подается от наружного прибора

Имеются следующие шаблоны подключения.

Конструкция блока питания внешнего прибора зависит от модели.

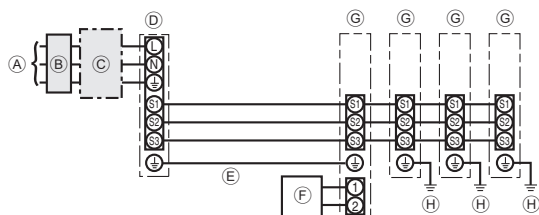
#### Система 1:1



- A Источник электропитания наружного прибора
- B Прерыватель утечки на землю
- C Прерыватель проводной цепи или изолирующий выключатель
- D Наружный прибор
- E Провода соединения внутренних/наружных приборов
- F Проводной пульт дистанционного управления (опция)
- G Внутренний прибор

\* Прикрепите бирку A, прилагаемую к руководствам, около каждой схемы подключения для внутреннего и наружного приборов.

#### Одновременная двойная/тройная/четверная система



- A Источник электропитания наружного прибора
- B Прерыватель утечки на землю
- C Прерыватель проводной цепи или изолирующий выключатель
- D Наружный прибор
- E Внутренний/наружного прибора
- F Проводной пульт дистанционного управления (опция)
- G Внутренний прибор
- H Заземление внутреннего прибора

\* Прикрепите бирку A, прилагаемую к руководствам, около каждой схемы подключения для внутреннего и наружного приборов.

## 6. Электрические работы

Модель внутреннего прибора		PKA-RP-HAL
Электропитание внутреннего прибора		—
Входная мощность внутреннего прибора	*1	—
Главный выключатель (Прерыватель)		—
Электропроводка Провод № × размер (мм <sup>2</sup> )	Электропитание внутреннего прибора	—
	Заземление внутреннего прибора	1 × Мин. 1,5
	Внутренний прибор-Наружный прибор	*2 3 × 1,5 (полярный)
	Заземление внутреннего/наружного прибора	*2 1 × Мин. 1,5
Мощность цепи	Проводной пульт дистанционного управления - Внутренний прибор	*3 2 × Мин. 0,3
	Внутренний прибор L-N	*4 —
	Внутренний прибор-Наружный прибор S1-S2	*4 AC 230 V
	Внутренний прибор-Наружный прибор S2-S3	*4 DC 24 V
	Проводной пульт дистанционного управления - Внутренний прибор	*4 DC 12 V

\*1. Используйте неплавкий предохранитель (NF) или выключатель тока утечки на землю (NV) с расстоянием между контактами по крайней мере 3 мм для каждого полюса.

\*2. <Для внешних приборов типов 25-140>

Макс. 45 м

Если используется 2,5 мм<sup>2</sup>, макс. 50 м

Если используется 2,5 мм<sup>2</sup> и отдельный S3, макс. 80 м

Для применения PUNZ-RP100/125/140 УНА используйте экранированные провода. Экранированную часть необходимо заземлить к внутреннему прибору ИЛИ наружному прибору, НО НЕ к обоим приборам.

<Для внешнего прибора типа 200/250>

Макс. 18 м

Если используется 2,5 мм<sup>2</sup>, макс. 30 м

Если используется 4 мм<sup>2</sup> и отдельный S3, макс. 50 м

Если используется 6 мм<sup>2</sup> и отдельный S3, макс. 80 м

\*3. Макс. 500 м

\*4. Величины HE всегда измерены относительно земли.

Разница потенциалов выводов S3 и S2 составляет 24 В постоянного тока. Между выводами S3 и S1 нет электрической изоляции с помощью трансформатора или другого устройства.

**Примечания:** 1. Диаметр проводов должен соответствовать применимым местным и национальным нормам.

2. Силовые кабели и кабели соединения Внутреннего/Наружного прибора не должны быть легче экранированного гибкого провода из полихлоропрена (модель 60245 IEC 57).

3. Длина устанавливаемого кабеля заземления должна превышать длину других кабелей.

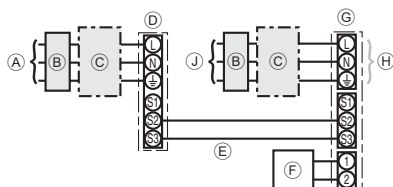
### 6.1.2. Отдельные источники электропитания для внутреннего прибора/наружного прибора (Только для применения PUNZ)

Имеются следующие шаблоны подключения.

Конструкция блока питания внешнего прибора зависит от модели.

#### Система 1:1

\* Требуется дополнительный сменный комплект проводки.

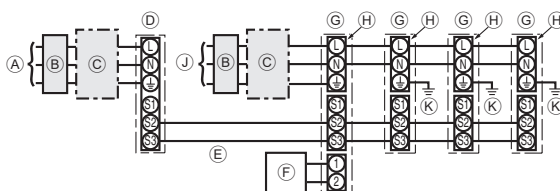


- Ⓐ Источник электропитания наружного прибора
- Ⓑ Прерыватель утечки на землю
- Ⓒ Прерыватель проводной цепи или изолирующий выключатель
- Ⓓ Наружный прибор
- Ⓔ Внутренний/наружного прибора
- Ⓕ Проводной пульт дистанционного управления (опция)
- Ⓖ Внутренний прибор
- Ⓗ Дополнительно
- Ⓙ Источник электропитания внутреннего прибора

\* Прикрепите бирку В, прилагаемую к руководствам, около каждой схемы подключения для внутреннего и наружного приборов.

#### Одновременная двойная/тройная/четверная система

\* Требуется дополнительные комплекты для замены проводов.



- Ⓐ Источник электропитания наружного прибора
- Ⓑ Прерыватель утечки на землю
- Ⓒ Прерыватель проводной цепи или изолирующий выключатель
- Ⓓ Наружный прибор
- Ⓔ Внутренний/наружного прибора
- Ⓕ Проводной пульт дистанционного управления (опция)
- Ⓖ Внутренний прибор
- Ⓗ Дополнительно
- Ⓙ Источник электропитания внутреннего прибора
- Ⓚ Заземление внутреннего прибора

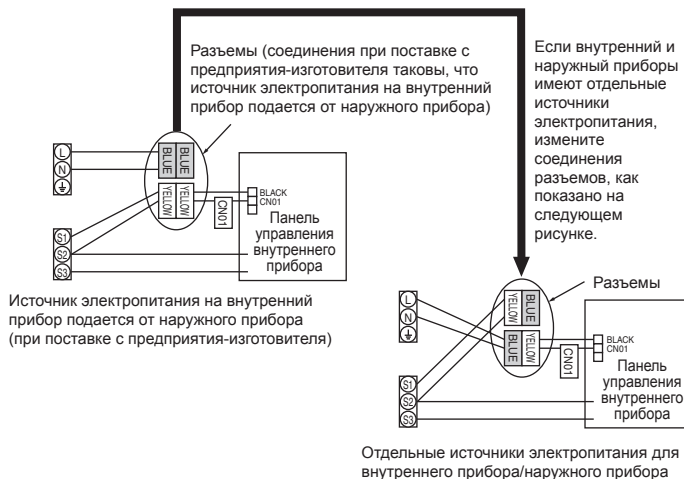
\* Прикрепите бирку В, прилагаемую к руководствам, около каждой схемы подключения для внутреннего и наружного приборов.

## 6. Электрические работы

Если у внутреннего и наружного приборов различные источники электропитания, см. таблицу ниже. Если используется дополнительный сменный комплект проводки, измените проводку распределительной коробки внутреннего прибора в соответствии с рисунком справа и настройки микропереключателя панели управления наружного прибора.

	Спецификации внутреннего прибора								
Комплект клемм источника электропитания внутреннего прибора (дополнительно)	Требуется								
Изменение соединения разъема распределительной коробки внутреннего прибора	Требуется								
Бирка, прикрепленная около каждой схемы подключения для внутреннего и наружного приборов	Требуется								
Настройка микропереключателя наружного прибора (только при использовании отдельных источников электропитания для внутреннего прибора/наружного прибора)	<table border="1"> <tr> <td>ON</td> <td></td> <td></td> <td>3</td> </tr> <tr> <td>OFF</td> <td>1</td> <td>2</td> <td></td> </tr> </table> (SW8)	ON			3	OFF	1	2	
ON			3						
OFF	1	2							

\* Имеется три типа бирок (бирки А, В и С). Прикрепите соответствующие бирки к блокам в соответствии с методом подключения проводки.



Модель внутреннего прибора		PKA-RP-HAL
Электропитание внутреннего прибора		~ /N (single), 50 Hz, 230 V
Входная мощность внутреннего прибора Главный выключатель (Прерыватель)		*1 16 A
Электропроводка Провод. № x размер (мм <sup>2</sup> )	Питание и заземление питания внутреннего блока	3 x Мин. 1,5
	Заземление внутреннего прибора	1 x Мин. 1,5
	Внутренний прибор-Наружный прибор	*2 2 x Мин. 0,3
	Заземление внутреннего/наружного прибора	-
Мощность цепи	Пульт дистанционного управления (опция) - Внутренний прибор	*3 2 x Мин. 0,3 (Неполярный)
	Внутренний прибор L-N	*4 AC 230 V
	Внутренний прибор-Наружный прибор S1-S2	*4 -
	Внутренний прибор-Наружный прибор S2-S3	*4 DC 24 V
	Пульт дистанционного управления (опция) - Внутренний прибор	*4 DC 12 V

\*1. Используйте неплавкий предохранитель (NF) или выключатель тока утечки на землю (NV) с расстоянием между контактами по крайней мере 3 мм для каждого полюса.

\*2. Макс. 120 м

Для применения PUNZ-RP100/125/140 YNA используйте экранированные провода. Экранированную часть необходимо заземлить к внутреннему прибору ИЛИ наружному прибору, НО НЕ к обоим приборам.

\*3. Макс. 500 м

\*4. Величины НЕ всегда измерены относительно земли.

- Примечания:**
1. Диаметр проводов должен соответствовать применимым местным и национальным нормам.
  2. Силовые кабели и кабели соединения Внутреннего/Наружного прибора не должны быть легче экранированного гибкого провода из полихлоропрена (модель 60245 IEC 57).
  3. Длина устанавливаемого кабеля заземления должна превышать длину других кабелей.

### ⚠ Предупреждение:

Никогда не подсоединяйте внахлест силовой кабель или соединительный кабель внешнего питания. Это может привести к задымлению, возгоранию или неисправности.

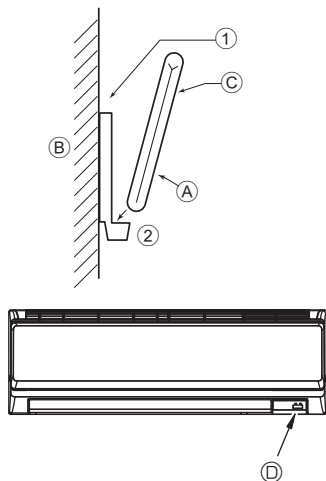


Рис. 6-2

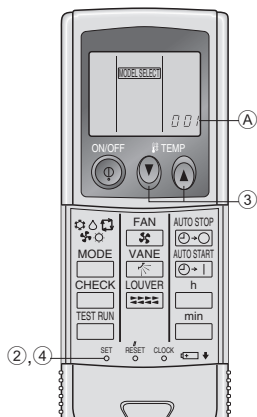


Рис. 6-3

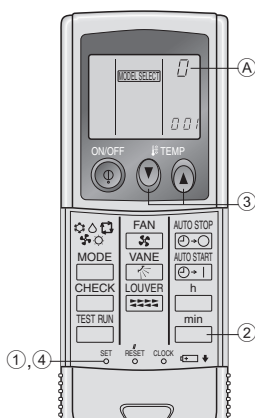


Рис. 6-4

### 6.2. Пульт дистанционного управления

#### 6.2.1. Для проводного пульта дистанционного управления

##### 1) Настройка двух пультов дистанционного управления

Если подключены два пульта дистанционного управления, настройте один как "Main" (Главный), а другой - как "Sub" (Подчиненный). Процедуры настройки приводятся в разделе "Выбор функций пульта дистанционного управления" в руководстве по эксплуатации внутреннего прибора.

#### 6.2.2. Для беспроводного пульта дистанционного управления

##### 1) Места установки

- Места, в которых пульт дистанционного управления не подвержен воздействию прямых солнечных лучей.
- Места, удаленные от источников тепла
- Места, в которых пульт дистанционного управления не подвержен воздействию холодного (или теплого) ветра.
- Места, максимально удобные для использования пульта дистанционного управления.
- Места, в которых пульт дистанционного управления недосягаем для детей.

##### 2) Метод установки (Рис. 6-2)

- 1) Закрепите держатель пульта дистанционного управления в выбранном Вами месте с помощью двух самонарезающих винтов.
  - 2) Вставьте низ пульта в держатель.
    - Ⓐ Пульт дистанционного управления
    - Ⓑ Стена
    - Ⓒ Индикаторная панель
    - Ⓓ Ресивер сигналов
- Сигнал передается на расстояние приблизительно в 7 м (по прямой линии) в диапазоне в 45 градусов слева и справа от центральной оси приема сигналов ресивером.

##### 3) Настройка (Рис. 6-3)

- 1) Вставьте батарейки.
- 2) Нажмите кнопку SET остроконечным предметом. На дисплее замигает индикация MODEL SELECT и высветится No. модели.
- 3) Нажмите кнопку temp (⌵) (⌶), чтобы настроить No. модели.
- 4) Нажмите кнопку SET остроконечным предметом. На дисплее на три секунды загорится индикация MODEL SELECT и No. Модели, которая затем погаснет.

Внутренний	Наружный	Ⓐ No. модели
PKA (35, 50)	PUH, PUHZ	002
	PU	034

##### 4) Приписание пульта дистанционного управления отдельным приборам (Рис. 6-4)

Каждый отдельный прибор может управляться только специально приписанным для него пультом дистанционного управления. Убедитесь в том, что каждая пара печатной платы и пульта дистанционного управления приписана идентичному No. пары.

##### 5) Процедура настройки номера пары пульта дистанционного управления

- 1) Нажмите кнопку SET остроконечным предметом. Начните процедуру настройки с остановленным дисплеем пульта дистанционного управления. На дисплее замигает индикация MODEL SELECT и высветится No. модели.
- 2) Дважды нажмите кнопку  $\frac{\text{min}}$ . На дисплее замигает No. "0".
- 3) Нажмите кнопку temp (⌵) (⌶), чтобы ввести желаемую номер пары.
- 4) Нажмите кнопку SET остроконечным предметом. На дисплее на три секунды загорится индикация настроенного номера пары, которая затем погаснет.

Ⓐ Номер пары пульта дистанционного управления	Печатная плата внутреннего блока
0	Заводская установка
1	разомкнуть J41
2	разомкнуть J42
3-9	разомкнуть J41, J42

## 6. Электрические работы

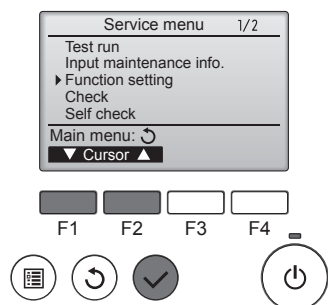


Рис. 6-5

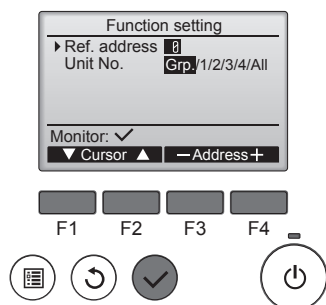


Рис. 6-6

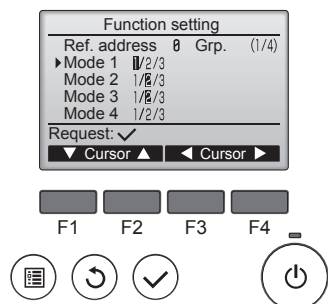


Рис. 6-7

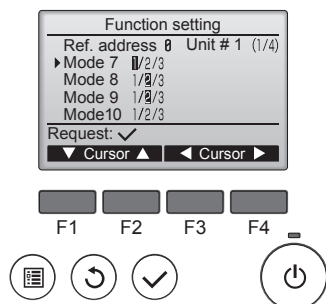


Рис. 6-8

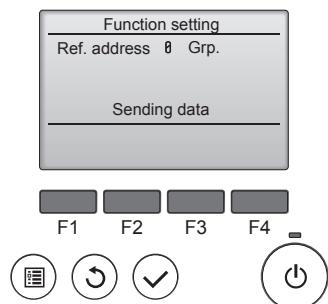


Рис. 6-9

### 6.3. Установки функций

#### 6.3.1. Функциональная настройка прибора (Выбор функций прибора)

##### 1) Для проводного пульта дистанционного управления

- ① (Рис. 6-5)
  - Выберите в Главном меню пункт "Service" (Сервисное обслуживание) и нажмите кнопку [ВЫБОР].
  - С помощью кнопки [F1] или [F2] выберите пункт "Function settings" (Настройка функций) и нажмите кнопку [ВЫБОР].
- ② (Рис. 6-6)
  - Установите адреса блоков охлаждения внутренних блоков и номера блоков с помощью кнопок [F1]–[F4], а затем нажмите кнопку [ВЫБОР], чтобы подтвердить настройки.

##### <Проверка внутреннего блока №.>

Когда будет нажата кнопка [ВЫБОР], запустится вентилятор соответствующего внутреннего блока. Если работает один общий блок или когда работают все блоки, на всех внутренних блоках для выбранного адреса хладагента будут запущены вентиляторы.

- ③ (Рис. 6-7)
  - После завершения сбора данных внутренних блоков текущие настройки будут отмечены подсветкой. Не подсвеченные пункты указывают, что настройки функций выполнены не были. Вид экрана зависит от параметра "Устр. №".
- ④ (Рис. 6-8)
  - С помощью кнопок [F1] и [F2] переместите курсор для выбора номера режима и измените номер кнопкой [F3] или [F4].
- ⑤ (Рис. 6-9)
  - После завершения настройки нажмите кнопку [ВЫБОР], чтобы отправить выбранные значения из контроллера дистанционного управления во внутренние блоки.
  - После успешного завершения передачи повторно откроется экран Настройка функций.

## 6. Электрические работы

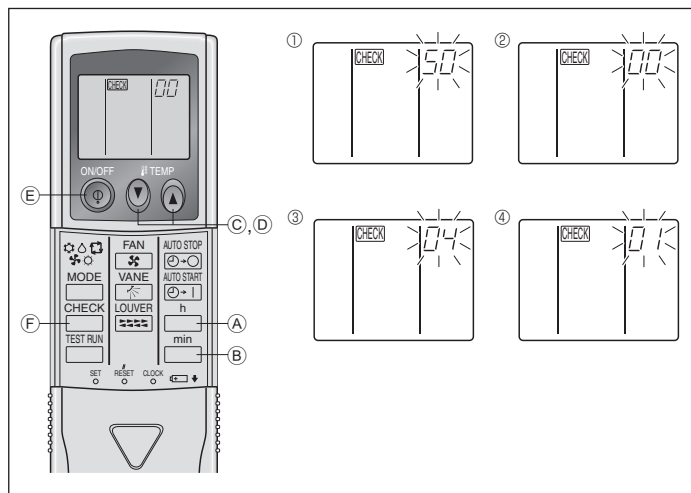


Рис. 6-10

### 2) Для беспроводного пульта дистанционного управления (Рис. 6-10)

Изменение настройки напряжения в сети электропитания

- Обязательно измените настройку напряжения в зависимости от напряжения в используемой сети электропитания.

① Перейдите в режим выбора функции

Дважды нажмите кнопку (E).

(Начните процедуру настройки с остановленным дисплеем пульта дистанционного управления.)

На дисплее высветится индикация и замигает "00".

Однократным нажатием кнопки temp (C) выполните настройку на "50".

Направьте беспроводной пульт дистанционного управления на ресивер сигналов внутреннего прибора и нажмите кнопку (A).

② Настройка номера прибора

Нажатием кнопки temp (C) и (A) установите номер прибора на "00".

Направьте беспроводной пульт дистанционного управления на ресивер сигналов внутреннего прибора и нажмите кнопку (B).

③ Выбор режима

Кнопками (C) и (A) введите 04 для изменения настройки напряжения

в сети электропитания. Направьте беспроводной пульт дистанционного управления на ресивер сигналов внутреннего прибора и нажмите кнопку (A).

Текущий номер настройки: 1 = 1 тональный сигнал (одна секунда)

2 = 2 тональных сигнала (каждый по одной секунде)

3 = 3 тональных сигнала (каждый по одной секунде)

④ Выбор номера настройки

Кнопками (C) и (A) измените настройку напряжения в сети электропитания на 01 (240 В). Направьте беспроводной пульт дистанционного управления на датчик внутреннего прибора и нажмите кнопку (A).

⑤ Для многократного выбора различных функций

Повторите шаги ③ и ④, чтобы многократно изменить различные настройки функций.

⑥ Завершите выбор функции

Направьте беспроводной пульт дистанционного управления на датчик внутреннего прибора и нажмите кнопку (E).

**Примечание:**

О любых изменениях настроек функций, внесенных после установки или после проведения техобслуживания, делайте соответствующую запись в таблице функций и пометку в колонке "Установка".

### 6.3.2 Функциональная настройка на пульте дистанционного управления

См. руководство по эксплуатации внутреннего прибора.

#### Таблица функций

Выберите номер прибора 00

Режим	Установки	Номер режима	Номер установки	Первоначальная настройка	установка
Автоматическое восстановление после сбоя питания	Отсутствует	01	1	*2	
	Имеется *1		2	*2	
Определение температуры в помещении	Средняя величина при работе внутреннего прибора	02	1	○	
	Устанавливается с пульта дистанционного управления внутреннего прибора		2		
	Внутренний датчик пульта дистанционного управления		3		
Подсоединяемость LOSSNAY	Не поддерживается	03	1	○	
	Поддерживается (внутренний прибор не оборудован механизмом всасывания наружного воздуха)		2		
	Поддерживается (внутренний прибор оборудован механизмом всасывания наружного воздуха)		3		
Напряжение в сети электропитания	240 В	04	1		
	220 В, 230 В		2	○	

Выберите номера прибора от 01 до 03 или все приборы (AL [проводной пульт дистанционного управления] / 07 [беспроводной пульт дистанционного управления])

Режим	Установки	Номер режима	Номер установки	Первоначальная настройка	установка
Знак фильтра	100 часов	07	1	○	
	2500 часов		2		
	Нет индикатора знака фильтра		3		
Скорость вентилятора	Низкий потолок	08	1	-	
	Стандартный		2	○	
	Высокий потолок		3	-	

\*1 При возобновлении подачи электропитания кондиционер запустится через 3 минуты.

\*2 Первоначальная настройка устройства автоматического включения после сбоя электропитания зависит от схемы подсоединения внешнего прибора.

## 7. Выполнение испытания

### 7.1. Перед пробным прогоном

- ▶ После завершения установки, прокладки труб и электропроводки внутреннего и наружного приборов проверьте отсутствие утечки хладагента, слабых соединений кабеля питания или проводов управления и неправильной полярности, а также убедитесь, что все фазы питания подключены.
- ▶ Измерьте сопротивление между терминалами источника электропитания и заземлением с использованием 500-вольтного меггера и убедитесь, что сопротивление составляет не менее 1,0 МΩ.

- ▶ Запрещается выполнять этот замер на терминалах проводов управления (цепь низкого напряжения).

**⚠ Предупреждение:**  
Не пользуйтесь кондиционером воздуха, если сопротивление изоляции ниже 1,0 МΩ.

**Сопротивление изоляции**

### 7.2. Выполнение испытания

#### 7.2.1. Использование проводного пульта дистанционного управления.

- Перед пробным пуском внимательно прочтите руководство по эксплуатации. (Особенно это касается указаний по безопасности)

##### Шаг 1 Включите питание.

- Пульт дистанционного управления: система переходит в режим запуска, индикатор питания (зеленый) пульта дистанционного управления начинает мигать и отображается сообщение "PLEASE WAIT (Ждите)". В этот момент пульт дистанционного управления недоступен для операций. Перед использованием пульта дистанционного управления дождитесь удаления с дисплея сообщения "PLEASE WAIT (Ждите)". Сообщение "PLEASE WAIT (Ждите)" отображается в течение приблизительно 2 минут после включения питания.
- Плата управления внутреннего блока: индикатор 1 загорается, индикатор 2 загорается (если адрес равен 0) или гаснет (если адрес не равен 0), индикатор 3 мигает.
- Плата управления наружного блока: индикатор 1 (зеленый) и индикатор 2 (красный) загораются. (После завершения процедуры запуска системы индикатор 2 гаснет.) Если на плате управления наружного блока используется цифровой дисплей, каждую секунду попеременно отображаются символы [-] и [·]. Если после выполнения процедур в шаге 2 и после него операции не выполняются надлежащим образом, проверьте и устраните следующие проблемы. (Симптомы, описанные ниже, могут проявляться в режиме пробного пуска. "Startup (Запуск)" в таблице обозначается индикацией, описанной выше.)

Симптомы в режиме пробного пуска		Причина
Дисплей пульта дистанционного управления	Индикация ПЛАТЫ НАРУЖНОГО БЛОКА < > обозначает цифровой дисплей.	
На пульте дистанционного управления отображается сообщение "PLEASE WAIT (Ждите)", пульт для операций недоступен.	После отображения сообщения "Startup (Запуск)" загорается только зеленый индикатор. <00>	• После включения питания в течение 2 минут во время запуска системы на дисплее будет отображаться сообщение "PLEASE WAIT" (Ждите). (Нормальный режим)
После включения питания в течение 3 минут отображается сообщение "PLEASE WAIT (Ждите)", затем отображается код ошибки.	После отображения сообщения "Startup (Запуск)" попеременно вспыхивают однократно зеленый и однократно красный индикаторы. <F1>	• Неверное подключение к клеммной колодке наружного блока (R, S, T и S <sub>1</sub> , S <sub>2</sub> , S <sub>3</sub> ).
	После отображения сообщения "Startup (Запуск)" попеременно вспыхивают однократно зеленый и дважды красный индикаторы. <F3, F5, F9>	
Дисплей не загорается даже при включении питания на пульте дистанционного управления. (Не загорается индикатор работы.)	После отображения сообщения "Startup (Запуск)" попеременно вспыхивают дважды зеленый и однократно красный индикаторы. <EA, Eb>	• Неверное подключение проводов между внутренним и наружным блоками (неверная полярность подключения S <sub>1</sub> , S <sub>2</sub> , S <sub>3</sub> ).
	После отображения сообщения "Startup (Запуск)" загорается только зеленый индикатор. <00>	• Провод передачи данных пульта дистанционного управления закорочен.
Дисплей загорается, но вскоре гаснет даже при работе с пультом дистанционного управления.	После отображения сообщения "Startup (Запуск)" загорается только зеленый индикатор. <00>	• Отсутствует наружный блок с адресом 0. (Адрес не равен 0.)
	После отображения сообщения "Startup (Запуск)" загорается только зеленый индикатор. <00>	• Разомкнут провод передачи данных пульта дистанционного управления.
Дисплей загорается, но вскоре гаснет даже при работе с пультом дистанционного управления.	После отображения сообщения "Startup (Запуск)" загорается только зеленый индикатор. <00>	• После отмены выбора функции, операции недоступны в течение 30 секунд. (Нормальный режим)

##### Шаг 2 Включите на пульте дистанционного управления режим "Test run" (Пробный пуск).

- 1 Выберите режим "Test run" (Пробный пуск) в Сервисном меню и нажмите кнопку [ВЫБОР]. (Рис. 7-1)
- 2 Выберите режим "Test run" (Пробный пуск) в Меню пробного пуска и нажмите кнопку [ВЫБОР]. (Рис. 7-2)
- 3 Запускается режим "Пробный пуск" и отображается экран пробного пуска.

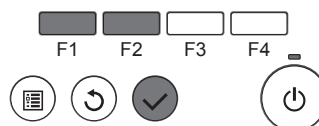
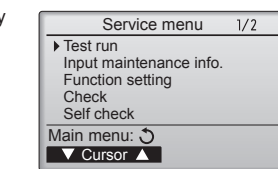


Рис. 7-1

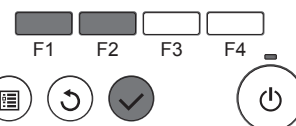
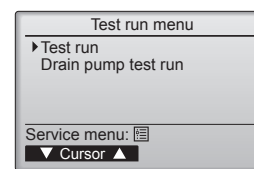


Рис. 7-2

##### Шаг 3 Выполните пробный пуск и проверьте температуру воздушного потока и автоматическую работу жалюзи.

- 1 Для изменения режима работы нажмите кнопку [F1]. (Рис. 7-3)  
Режим охлаждения: убедитесь, что из блока поступает охлажденный воздух.  
Режим нагревания: убедитесь, что из блока поступает нагретый воздух.
- 2 Нажмите кнопку [ВЫБОР] для отображения экрана работы жалюзи, затем нажмите кнопку [F1] и [F2] для проверки автоматического режима работы жалюзи. (Рис. 7-4)  
Нажмите кнопку [ВОЗВРАТ] для возврата к экрану пробного пуска.

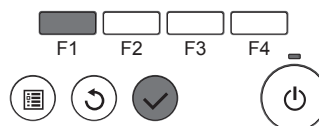
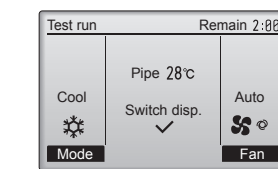


Рис. 7-3

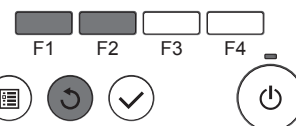
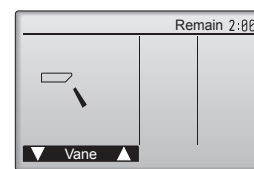


Рис. 7-4

##### Шаг 4 Проверка работы вентилятора наружного блока.

Скорость вращения вентилятора наружного блока регулируется для управления работой устройства. В зависимости от атмосферных условий вентилятор вращается с низкой скоростью, пока этого будет достаточно для нормальной работы. Наружный ветер может привести к остановке вентилятора или его вращению в обратном направлении, однако это не является проблемой.

## 7. Выполнение испытания

### Шаг 5 Остановка пробного пуска.

① Для остановки пробного пуска нажмите кнопку [ВКЛ/ВЫКЛ]. (Отображается меню Пробного пуска.)  
Примечание. Если на дисплее отображается код ошибки, см. таблицу ниже.

ЖК-дисплей	Описание сбоя	ЖК-дисплей	Описание сбоя	ЖК-дисплей	Описание сбоя
P1	Ошибка датчика впуска	P9	Ошибка датчика трубопровода (двойной трубопровод)	E0 ~ E5	Ошибка связи между пультом дистанционного управления и внутренним блоком
P2	Ошибка датчика трубопровода (трубопровод для жидкости)	PA	Ошибка протечки (система хладагента)		
P4	Разъединен контакт переключателя дренажного слива (CN4F)	PL	Ненадлежащее функционирование контура хладагента		
P5	Защита от переполнения дренажной системы	FB	Ошибка платы управления внутреннего блока	E6 ~ EF	Ошибка связи между внутренним и наружным блоками
P6	Защита системы охлаждения/нагрева	U*, F* (* обозначение буквенно-цифрового символа, кроме FB.)	Нарушение работы наружного блока. См. схему соединений наружного блока.		
P8	Ошибка температуры трубопровода				

Описание индикаторов дисплея см. в таблице ниже (индикаторы 1, 2 и 3) на плате управления внутреннего блока.

Индикатор 1 (питание микрокомпьютера)	Индикатор подачи питания. Этот индикатор должен гореть постоянно.
Индикатор 2 (питание пульта дистанционного управления)	Указывает, подается ли питание на проводной пульт дистанционного управления. Данный индикатор загорается только для внутреннего блока, подключенного к наружному блоку и имеющего адрес 0.
Индикатор 3 (связь внутреннего/наружного блоков)	Указывает на связь между внутренним и наружным блоками. Этот индикатор должен постоянно мигать.

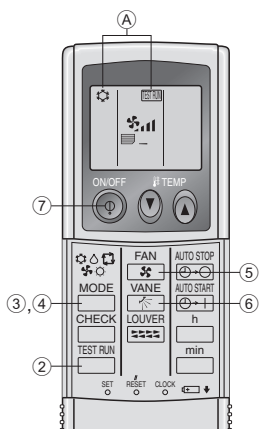


Рис. 7-5

### 7.2.2. Использование беспроводного пульта дистанционного управления (Рис. 7-5)

- Включите питание блока по крайней мере за 12 часов до начала испытаний.
- Дважды нажмите кнопку (Начните данную операцию с выключенным дисплеем пульта дистанционного управления.)
  - На дисплее появится индикация и индикация текущего режима работы.
- Нажмите кнопку ( ), чтобы активизировать режим , затем проверьте исправность выдува холодного воздуха из прибора.
- Нажмите кнопку ( ), чтобы активизировать режим , затем проверьте исправность выдува теплого воздуха из прибора.
- Нажмите кнопку и проверьте, изменяется ли скорость вращения вентилятора.
- Нажмите кнопку и проверьте исправность работы автоматических заслонок.
- Для остановки пробного прогона нажмите кнопку ON/OFF (ВКЛ./ВЫКЛ.).

#### Примечание:

- При выполнении операций с ② по ⑦ направьте пульт дистанционного управления на ресивер сигналов внутреннего прибора.
- Прогон в режимах FAN (ВЕНТИЛЯЦИЯ), DRY (СУШКА) или AUTO (АВТОМАТИЧЕСКИЙ) невозможен.

### 7.2.3. Использование SW4 в наружном блоке

Смотрите руководство по установке наружного прибора.

## 7.3. Самодиагностика

### 7.3.1. Для проводного пульта дистанционного управления

- Подробное описание см. в руководстве по установке, прилагаемого к пульту дистанционного управления.

### 7.3.2. Для беспроводного пульта дистанционного управления (Рис. 7-6)

- Включите питание.
- Дважды нажмите кнопку (Начните данную операцию с выключенным дисплеем пульта дистанционного управления.)
  - Загорится индикация .
  - Начнет мигать индикация "00".
- Направив пульт дистанционного управления на ресивер сигналов на приборе, нажмите кнопку . Значение кода проверки будет соответствовать количеству звуковых сигналов зуммера из сектора ресивера и количеству миганий лампочки работы прибора.
- Для остановки самопроверки нажмите кнопку ON/OFF (ВКЛ./ВЫКЛ.).

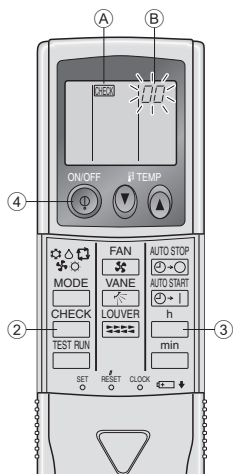
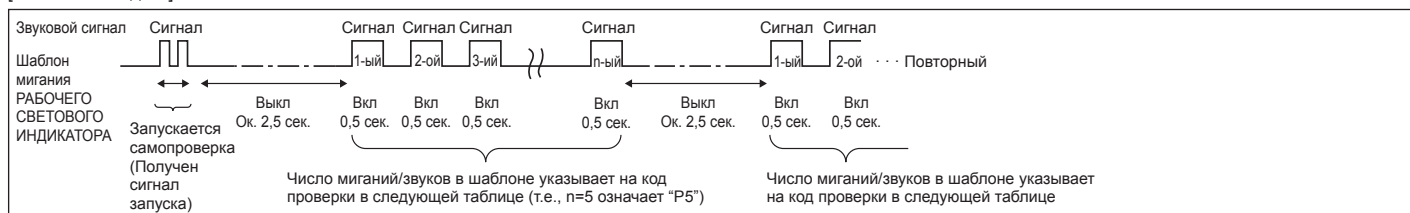


Рис. 7-6

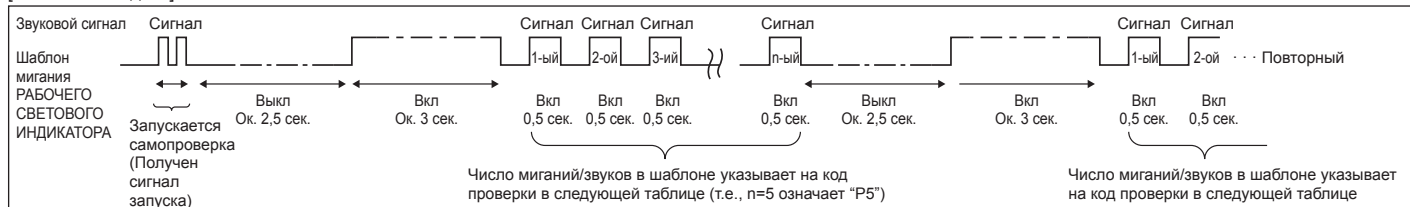


## 7. Выполнение испытания

• Дополнительные сведения по кодам проверки приводятся в следующих таблицах. (беспроводного пульта дистанционного управления)  
[Шаблон вывода А]



[Шаблон вывода В]



[Шаблон вывода А] Ошибки, обнаруженные внутренним прибором

беспроводного пульта дистанционного управления	Проводного пульта дистанционного управления	Признак	Примечание
Звучит сигнал/мигает РАБОЧИЙ СВЕТОВОЙ ИНДИКАТОР (Число раз)	Код проверки		
1	P1	Ошибка впускного датчика	
2	P2	Ошибка датчика трубы (ТН2)	
	P9	Ошибка датчика трубы (ТН5)	
	E6, E7	Ошибка связи между внутренним/наружным прибором	
4	P4	Ошибка датчика системы дренажа/Разрыв в цепи разъема датчика поплавка	
5	P5	Ошибка дренажного насоса	
	PA	Нагнетательный компрессор	
6	P6	Работа в режиме защиты от обледенения/перегрева	
7	EE	Ошибка связи между внутренним и наружным приборами	
8	P8	Ошибка температуры трубы	
9	E4	Ошибка получения сигнала пульта дистанционного управления	
10	-	-	
11	-	-	
12	Fb	Ошибка системы управления внутренним прибором (ошибка памяти и т.д.)	
14	PL	Неадекватное функционирование контура хладагента	
Нет звука	E0, E3	Ошибка передачи данных проводного пульта дистанционного управления	
Нет звука	E1, E2	Отсутствует звук E1, E2 Ошибка передачи контроллера платы проводного пульта дистанционного управления	
Нет звука	----	Отсутствует связь	

[Шаблон вывода В] Ошибки, обнаруженные прибором, кроме внутреннего прибора (наружный прибор и т.д.)

беспроводного пульта дистанционного управления	Проводного пульта дистанционного управления	Признак	Примечание
Звучит сигнал/мигает РАБОЧИЙ СВЕТОВОЙ ИНДИКАТОР (Число раз)	Код проверки		
1	E9	Ошибка связи внутреннего/наружного прибора (Ошибка передачи) (Наружный прибор)	Подробнее см. ЖК-дисплей платы наружного контроллера.
2	UP	Прерывание компрессора по перегрузке по току	
3	U3, U4	Размыкание/короткое замыкание термисторов наружного прибора	
4	UF	Прерывание компрессора по перегрузке по току (Когда компрессор заблокирован)	
5	U2	Ненормально высокая температура нагнетания/49C сработало/недостаточно хладагента	
6	U1, Ud	Ненормально высокое давление (63Н сработало)/Работа в режиме защиты от перегрева	
7	U5	Ненормальная температура теплоотвода	
8	U8	Аварийный останов вентилятора наружного прибора	
9	U6	Прерывание компрессора по перегрузке по току/Неисправность в модуле электропитания	
10	U7	Ненормально высокое тепло по причине низкой температуры нагнетания	
11	U9, UN	Неисправность, например, перенапряжение или недостаток напряжения и ненормальный синхронный сигнал к главной цепи/Ошибка датчика тока	
12	-	-	
13	-	-	
14	Прочее	Другие ошибки (См. техническое руководство наружного прибора.)	

\*1 Если звуковой сигнал не прозвучит снова после первоначальных двух сигналов подтверждения приема сигнала для запуска самопроверки и РАБОЧИЙ СВЕТОВОЙ ИНДИКАТОР не загорится, записей об ошибках нет.

\*2 Если звуковой сигнал прозвучит три раза подряд "бип, бип, бип (0,4 + 0,4 + 0,4 сек.\*)" после первоначальных двух сигналов подтверждения приема сигнала для запуска самопроверки, указанный адрес хладагента неправильный.

## 7. Выполнение испытания

- На беспроводном пульте дистанционного управления  
Непрерывные звонки зуммера с области приема сигналов на внутреннем приборе.  
Мигание лампочки работы
- На проводном пульте дистанционного управления  
Проверьте код, отображенный на ЖК-дисплее.
- Если прибор не работает должным образом после проведения пробного прогона, устраните неисправность, обратившись к нижеприведенной таблице.

Симптом		Причина	
Проводной пульт дистанционного управления		СИД 1, 2 (печатная плата на наружном приборе)	
PLEASE WAIT	В течение приблизительно 2 минут после включения питания.	После загорания СИД 1, 2, СИД 2 выключается, горит только СИД 1. (Правильная работа)	<ul style="list-style-type: none"> <li>• В течение приблизительно 2 минут после включения питания работа пульта дистанционного управления невозможна вследствие запуска системы. (Правильная работа)</li> </ul>
PLEASE WAIT → Код ошибки	По истечении приблизительно 2 минут после включения питания.	Горит только СИД 1. → СИД 1, 2 мигают.	<ul style="list-style-type: none"> <li>• Не подсоединен соединитель защитного устройства наружного прибора.</li> <li>• Обратное подсоединение фаз или неполнофазный режим электропроводки на блоке терминалов питания наружного прибора (L1, L2, L3).</li> </ul>
Сообщения об ошибках не выводятся на дисплей, даже если выключатель работы находится в положении ON (Вкл.) (не горит лампочка работы).		Горит только СИД 1. → СИД 1 мигает дважды, СИД 2 мигает один раз.	<ul style="list-style-type: none"> <li>• Неправильная электропроводка между внутренним и наружным приборами (неправильная полярность S1, S2, S3)</li> <li>• Короткое замыкание провода пульта дистанционного управления</li> </ul>

В вышеописанном состоянии беспроводного пульта дистанционного управления наблюдаются следующие явления.

- Сигналы с пульта дистанционного управления не принимаются.
- Мигает лампочка OPE.
- Зуммер издает короткий высокий гудок.

### Примечание:

**В течение приблизительно 30 секунд после отмены выбора функции управление невозможно. (Правильная работа)**

Описание каждого СИДа (СИД1,2,3) на пульте управления внутреннего прибора приводится в таблице ниже.

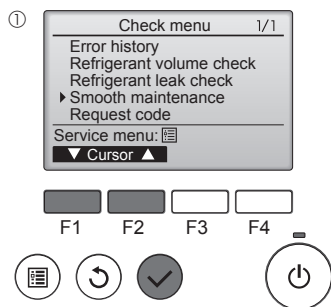
СИД 1 (питание микрокомпьютера)	Показывает наличие питания системы управления. Убедитесь в том, что данный СИД горит постоянно.
СИД 2 (питание пульта дистанционного управления)	Показывает наличие питания пульта дистанционного управления. Данный СИД загорается только в том случае, когда внутренний прибор подсоединен к адресу "0" хладагента наружного прибора.
СИД 3 (связь между внутренним и наружным приборами)	Показывает состояние связи между внутренним и наружным приборами. Убедитесь в том, что данный СИД мигает постоянно.

## 8. Функция простого техобслуживания

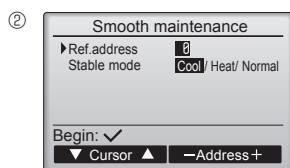
Данные обслуживания, такие как температура теплообменника внутреннего/наружного блоков и рабочий ток компрессора, могут отображаться с помощью функции "Smooth maintenance" (Плавное обслуживание).

\* Выполнение этой функции невозможно во время проведения испытаний.

\* В зависимости от комбинации с наружным прибором на некоторых моделях эта функция может не поддерживаться.



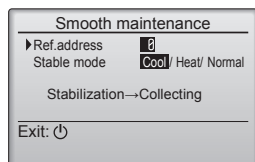
- Выберите в Main menu (главном меню) пункт "Service" (Сервисное обслуживание) и нажмите кнопку [ВЫБОР].
- С помощью кнопки [F1] или [F2] выберите пункт "Check" (Пров.) и нажмите кнопку [ВЫБОР].
- С помощью кнопки [F1] или [F2] выберите пункт "Smooth maintenance" (Плавное обслуживание) и нажмите кнопку [ВЫБОР].



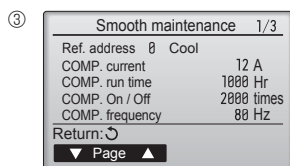
Выберите нужный элемент

- Кнопкой [F1] или [F2] выберите элемент, который необходимо изменить.
- Кнопкой [F3] или [F4] выберите нужный параметр.

Параметр "Ref. address" (Адрес обращ.) ..... "0" - "15"  
 Параметр "Stable mode" (Стабильный режим) ..... "Cool" (Охлажд.) /  
 "Heat" (Нагрев) /  
 "Normal" (Нормальный)

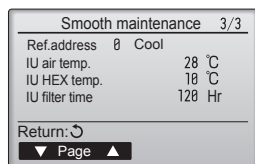
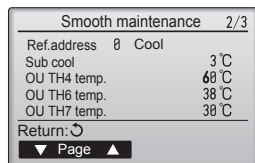


- Нажмите кнопку [ВЫБОР], начнется работа в выбранном режиме.
- \* Работа в режиме "Stable mode" (Стабильный режим) займет прим. 20 минут.



Отобразятся рабочие данные.

Для параметра общего времени работы компрессора (COMP. run (КОМП. раб.)) используется единица 10 часов, а для параметра количества включений компрессора (COMP. On/Off (КОМП. Вкл/Выкл)) используется единица 100 раз (дробные значения исключены)



**Навигация по экранам**

- Для возврата в Главное меню ..... кнопка [МЕНЮ]
- Для возврата к предыдущему экрану ..... кнопка [ВОЗВРАТ]

This product is designed and intended for use in the residential,  
commercial and light-industrial environment.

The product at hand is based on the following EU regulations:

- Low Voltage Directive 2006/95 EC
- Electromagnetic Compatibility Directive 2004/108 EC
- Machinery Directive 2006/42 EC
- Energy-related Products Directive 2009/125/EC and Regulation (EU) No 206/2012
- RoHS Directive 2011/65/EU

Please be sure to put the contact address/telephone number on this manual before handing it to the customer.

Не забудьте указать контактный адрес/номер телефона в данном руководстве, прежде чем передать его клиенту.

## **mitsubishi electric corporation**

HEAD OFFICE: TOKYO BLDG. 2-7-3, MARUNOUCHI, CHIYODA-KU, TOKYO 100-8310, JAPAN  
Authorized representative in EU: MITSUBISHI EUROPE.B.V HARMAN HOUSE, 1 GEORGE STREET,  
UXBRIDE, MIDDLESEX UB8 1QQ.U.K.  
Название Компании: ООО «Мицубиси Электрик (PUC)»

Адрес: россия, 115054, Москва, Космодамианская наб., д. 52, стр. 1

# McGrp.Ru



## Сайт техники и электроники

Наш сайт [McGrp.Ru](http://McGrp.Ru) при этом не является просто хранилищем [инструкций по эксплуатации](#), это живое сообщество людей. Они общаются на форуме, задают вопросы о способах и особенностях использования техники. На все вопросы очень быстро находят ответы от таких же посетителей сайта, экспертов или администраторов. Вопрос можно задать как на форуме, так и в специальной форме на странице, где описывается интересующая вас техника.